



DEEBOT **N8** PRO

Instruction Manual/Manuel d'instructions/Manual de instrucciones

EN	Instruction Manual.....	2
FR-CA	Manuel d'instructions	31
ES-LA	Manual de instrucciones.....	61

Live Smart. Enjoy Life.

Should you encounter situations that have not been properly addressed in this Instruction Manual, please contact our Customer Service Center where a technician will be able to help you with your specific problem or question.

For more information, please visit the ECOVACS ROBOTICS official website: www.ecovacs.com

The company reserves the right to make technological and/or design changes to this product for continuous improvement.

Thank you for choosing DEEBOT!

Contents

1. Important Safety Instructions	4
2. Package Contents	9
3. Operating and Programming.....	12
4. Maintenance	18
5. Indicator Light.....	24
6. Troubleshooting.....	25
7. Technical Specifications	30

1. Important Safety Instructions

IMPORTANT SAFETY INSTRUCTIONS READ ALL INSTRUCTIONS BEFORE USING THIS APPLIANCE.

SAVE THESE INSTRUCTIONS

For Household use only

When using an electrical appliance, basic precautions should always be followed, including the following:

WARNING: Read all safety warnings and instructions. Failure to follow the warnings and instructions may result in electric shock, fire or serious injury.

1. Do not allow to be used as a toy. Close attention is necessary when used by or near children.
2. Clear the area to be cleaned. Remove power cords and small objects from the floor that could entangle the Appliance. Tuck rug fringe under the rug base, and lift items such as curtains and tablecloths off the floor.
3. If there is a drop off in the cleaning area due to a step or stairs, you should operate the

Appliance to ensure that it can detect the step without falling over the edge. It may become necessary to place a physical barrier at the edge to keep the unit from falling. Make sure the physical barrier is not a trip hazard.

4. Only use as described in this manual. Only use attachments recommended or sold by the manufacturer.
5. Please make sure your power supply voltage matches the power voltage marked on the Docking Station.
6. Do not handle plug or appliance with wet hands.
7. Non-rechargeable batteries are prohibited.
8. Do not use without dust bin and/or filters in place.
9. Do not operate the vacuum in an area where there are lit candles or fragile objects on the floor to be cleaned.
10. Do not use and store in extremely hot or cold environments (below -5°C / 23°F or above 40°C / 104°F). Please charge the robot in temperature above 0°C / 32°F and below 40°C / 104°F .

11. Keep hair, loose clothing, fingers, and all parts of body away from any openings and moving parts.
12. Do not operate the Appliance in a room where an infant or child is sleeping.
13. For INDOOR use ONLY. Do not use the Appliance in outdoor, commercial or industrial environments. Do not use Appliance on wet surfaces or surfaces with standing water.
14. Do not allow the Appliance to pick up large objects like stones, large pieces of paper or any item that may clog the Appliance.
15. Do not use Appliance to pick up flammable or combustible materials such as gasoline, printer or copier toner, or use in areas where they may be present.
16. Do not use Appliance to pick up anything that is burning or smoking, such as cigarettes, matches, hot ashes, or anything that could cause a fire.
17. Do not put any object into openings. Do not use with any opening blocked; keep free of dust, lint, hair, and anything that may reduce air flow.
18. Take care not to damage the power cord. Do not pull on or carry the Appliance or Docking Station by the power cord, use the power cord as a handle, close a door on the power cord, or pull power cord around sharp edges or corners. Do not run Appliance over the power cord. Keep power cord away from hot surfaces. Do not unplug by pulling on cord. To unplug, grasp the plug, not the cord.
19. If the power cord is damaged, it must be replaced by the manufacturer or its service agent in order to avoid a hazard.
20. Do not use the Docking Station if it is damaged.
21. Do not use with a damaged power cord or plug. Do not use the Appliance or Docking Station if it is not working properly, has been dropped, damaged, left outdoors, or come in contact with water. It must be repaired by the manufacturer or its service agent in order to avoid a hazard.
22. Turn OFF the power switch before cleaning or maintaining the Appliance. Turn off all controls before unplugging. Always turn off this appliance before connecting or disconnecting motorized nozzle.
23. The plug must be removed from the receptacle before cleaning or maintaining the Docking Station.

24. Remove the Appliance from the Docking Station, and turn OFF the power switch to the Appliance before removing the battery for disposal of the Appliance.
25. The battery must be removed and discarded according to local laws and regulations before disposal of the Appliance.
26. Please dispose of used batteries according to local laws and regulations.
27. Do not incinerate the Appliance even if it is severely damaged. The batteries can explode in a fire.
28. When not using the Docking Station for a long period of time, please unplug it.
29. The Appliance must be used in accordance with the directions in this Instruction Manual. ECOVACS ROBOTICS cannot be held liable or responsible for any damages or injuries caused by improper use.
30. Prevent unintentional starting. Ensure the switch is in the off position before connecting to battery pack, picking up or carrying the appliance. Carrying the appliance with your finger on the switch or energizing appliance that have the switch on invites accidents.
31. When battery pack is not in use, keep it away from other metal objects, like paper clips, coins, keys, nails, screws or other small metal objects, that can make a connection from one terminal to another. Shorting the battery terminals together may cause burns or a fire.
32. Under abusive conditions, liquid may be ejected from the battery; avoid contact. If contact accidentally occurs, flush with water. If liquid contacts eyes, additionally seek medical help. Liquid ejected from the battery may cause irritation or burns.
33. Do not use a battery pack or appliance that is damaged or modified. Damaged or modified batteries may exhibit unpredictable behavior resulting in fire, explosion or risk of injury.
34. Do not expose a battery pack or appliance to fire or excessive temperature. Exposure to fire or temperature above 130°C may cause explosion. The temperature of 130°C can be replaced by the temperature of 265°F.
35. Follow all charging instructions and do not charge the battery pack or appliance outside of the temperature range specified in the instructions. Charging improperly or at

temperatures outside of the specified range may damage the battery and increase the risk of fire.

36. Have servicing performed by a qualified repair person using only identical replacement parts. This will ensure that the safety of the product is maintained.
37. Do not modify or attempt to repair the appliance or the battery pack (as applicable) except as indicated in the instructions for use and care.
38. Place the cords from other appliances out of the area to be cleaned.
39. Do not operate the vacuum in a room that has lit candles on furniture that the vacuum may accidentally hit or bump into.
40. Do not allow children to sit on the vacuum.
41. Use only as described in this manual. Use only manufacturer's recommended attachments.
42. Recharge only with the charger specified by the manufacturer. A charger that is suitable for one type of battery pack may create a risk of fire when used with another battery pack.
43. Use appliances only with specifically designated battery packs. Use of any other battery packs

may create a risk of injury and fire.

44. The robot contains batteries that are only replaceable by skilled persons. To replace the robot's battery, please contact Customer Service.
45. If the robot will not be used for a long time, fully charge the robot and power OFF for storage and unplug the Docking Station.
46. To Reduce The Risk Of Electric Shock – Do not use on wet surfaces. Do not expose to rain. Store indoors.
47. To Reduce The Risk Of Injury From Moving Parts – Unplug Before Servicing.
48. Risk Of Injury. Brush May Start Unexpectedly. Unplug Before Cleaning or Servicing.
49. To reduce the risk of injury, user must read instruction manual.
50. To Reduce The Risk Of Electric Shock – Do not use outdoors or on wet surfaces.

===	Direct current
~	Alternating current

This Device Complies with DHHS Radiation Rules, 21CFR Chapter 1, Subchapter J.

Federal Communications Commission (FCC) Interference Statement

This equipment has been tested and found to comply with the limits for a Class B digital device, pursuant to Part 15 of the FCC Rules.

These limits are designed to provide reasonable protection against harmful interference in a residential installation. This equipment generate, uses and can radiate radio frequency energy and, if not installed and used in accordance with the instructions, may cause harmful interference to radio communications.

However, there is no guarantee that interference will not occur in a particular installation. If this equipment does cause harmful interference to radio or television reception, which can be determined by turning the equipment off and on, the user is encouraged to try to correct the interference by one of the following measures:

- Reorient or relocate the receiving antenna.
- Increase the separation between the equipment and receiver.
- Connect the equipment into an outlet on a circuit different from that to which the receiver is connected.
- Consult the dealer or an experienced radio/TV technician for help.

This device complies with Part 15 of the FCC Rules. Operation is subject to the following two conditions:

(1) This device may not cause harmful interference, and (2) this device must accept any interference received, including interference that may cause undesired operation.

FCC Caution: Any changes or modifications not expressly

approved by the party responsible for compliance could void the user's authority to operate this equipment.

RF exposure warning

This equipment complies with FCC radiation exposure limits set forth for an uncontrolled environment.

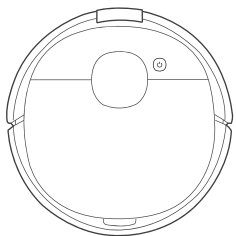
This equipment must be installed and operated in accordance with provided instructions and the antenna(s) used for this transmitter must be installed to provide a separation distance of at least 20 cm from all persons and must not be collocated or operating in conjunction with any other antenna or transmitter.

To disable Wi-Fi module on DEEBOT, power the robot ON. Place the robot on the Docking Station making sure the Charging Contacts on DEEBOT and the Docking Station Pins make a connection.

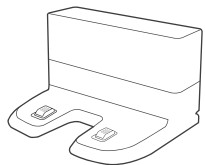
Press and hold the AUTO Mode Button on the robot for 20 seconds until DEEBOT emits 3 beeps.

To enable Wi-Fi module on DEEBOT, power the robot OFF and then power ON. The Wi-Fi module is turned on when DEEBOT is restarted.

2. Package Contents/2.1 Package Contents



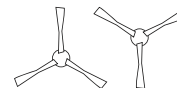
Robot



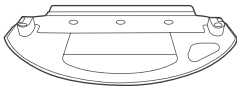
Docking Station



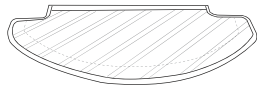
Instruction Manual



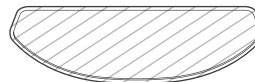
Side Brushes



Mopping Pad Plate



Washable Mopping Pad

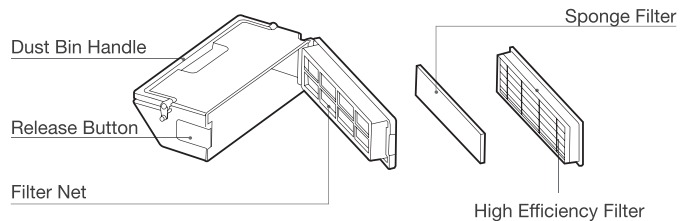
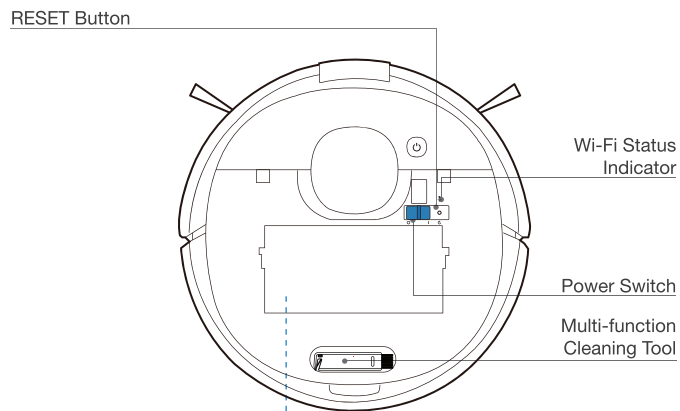
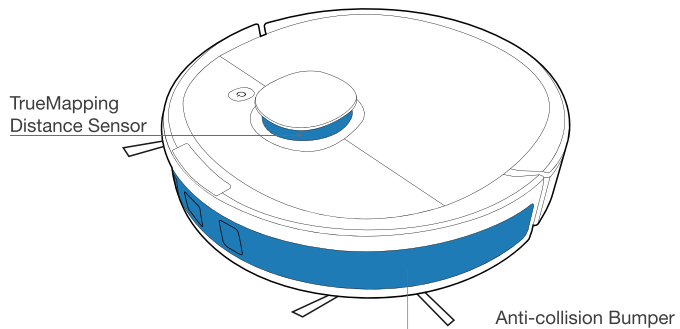
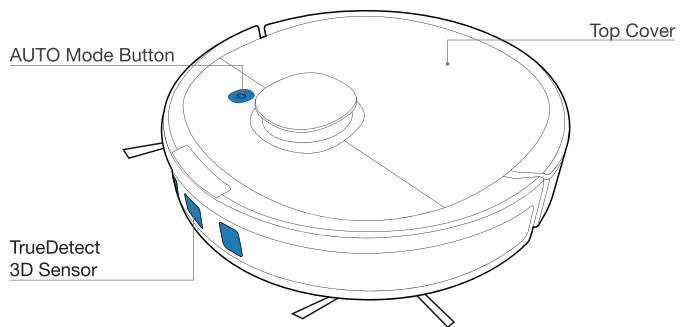


Disposable Mopping Pads

Note: Figures and illustrations are for reference only and may differ from actual product appearance. Product design and specifications are subject to changes without notice.

2. Package Contents/2.2 Product Diagram

Robot

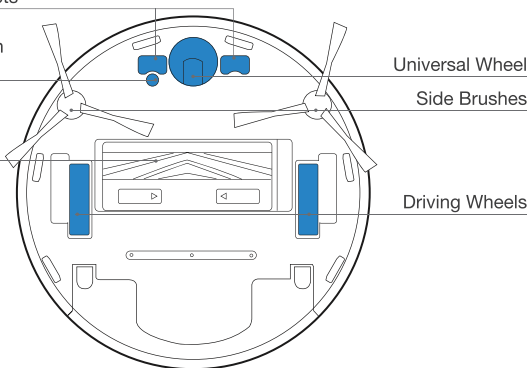


Bottom View

Charging Contacts

Carpet Detection Sensor

Main Brush



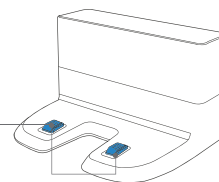
Universal Wheel

Side Brushes

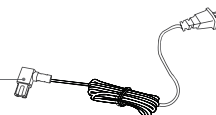
Driving Wheels

Docking Station

Docking Station Pins



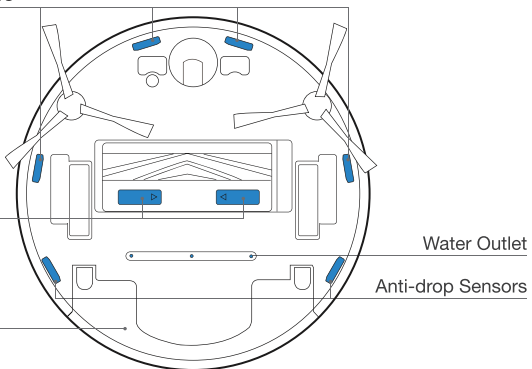
Power Cord



Anti-drop Sensors

Main Brush Release Button

Reservoir



Water Outlet

Anti-drop Sensors

Reservoir

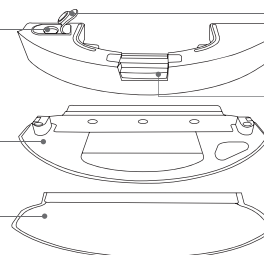
Water Inlet

Mopping Pad Plate

Mopping Pad

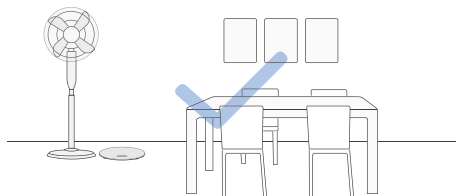
Water Inlet Cover

Reservoir Release Button

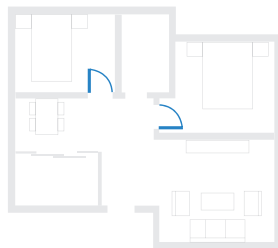


3. Operating and Programming/3.1 Notes Before Cleaning

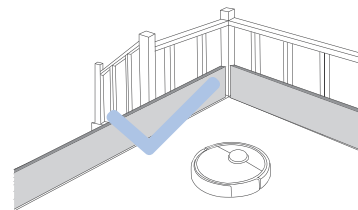
Tidy up the area to be cleaned by putting furniture, such as chairs, in their proper place.



During the first use, make sure each room door is open to help DEEBOT fully explore your house.



It may be necessary to place a physical barrier at the edge of a drop to stop the unit from falling over the edge.



Put away objects including cables, cloths and slippers, etc. on the floor to improve the cleaning efficiency.



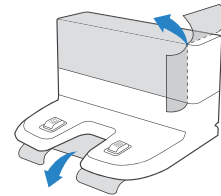
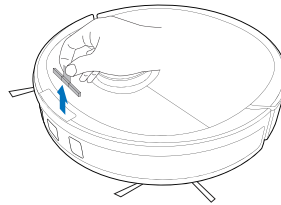
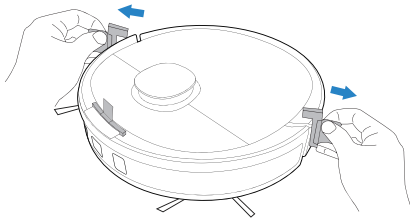
Before using the product on a rug with tasseled edges, please fold the rug edges under.



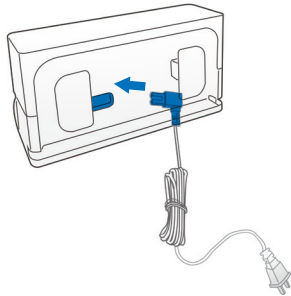
Please do not stand in narrow spaces, such as hallways, and make sure not to block the Detection Sensor.

3. Operating and Programming/3.2 Quick Start

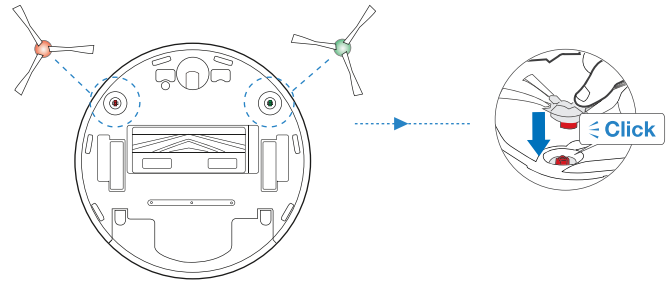
1 Remove Protective Strips and Films



2 Assemble Docking Station

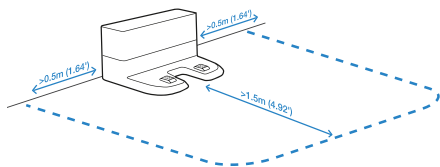


3 Install Side Brushes

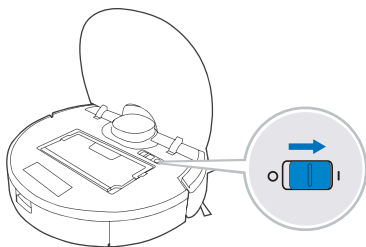


3. Operating and Programming/3.3 Charging DEEBOT

1 Docking Station Placement



2 Power ON



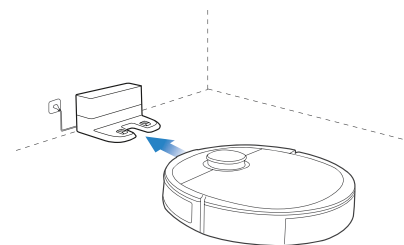
Note: I = ON, O = OFF.

! DEEBOT cannot be charged when being powered OFF.

3 Charge DEEBOT

Empty remaining water from the Reservoir and remove the Reservoir and the mopping pad plate before charging DEEBOT.

⏻ flashes when DEEBOT is charging. ⏻ goes out when DEEBOT is fully charged.



* You can also purchase an Auto-Empty Station that automatically empties your DEEBOT's dustbin. Explore more accessories at <https://www.ecovacs.com/global>.

3. Operating and Programming/3.4 ECOVACS HOME App


To enjoy all available features, it is recommended to control your DEEBOT via the ECOVACS HOME app.

Before you start, make sure that:

- Your mobile phone is connected to a Wi-Fi network.
- The 2.4GHz band wireless signal is enabled on your router.
- The Wi-Fi indicator light on DEEBOT is slowly flashing.



Wi-Fi Indicator Light

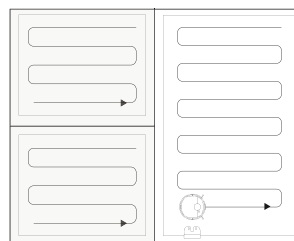
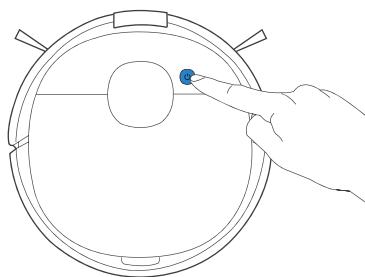
	Slowly flashing	Disconnected to Wi-Fi or waiting for Wi-Fi connection
	Rapidly flashing	Connecting to Wi-Fi
	Solid	Connected to Wi-Fi

Tips: If you have any problems during the Wi-Fi setup process, refer to the Troubleshooting > Wi-Fi Connection section in this manual.

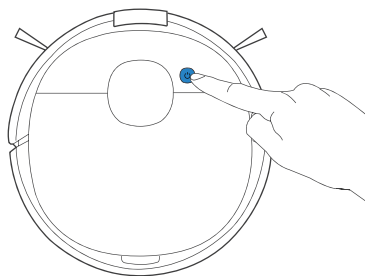
3. Operating and Programming/3.5 Operating DEEBOT

During the first cleaning, please supervise DEEBOT and assist it should there be a problem.

1 Start

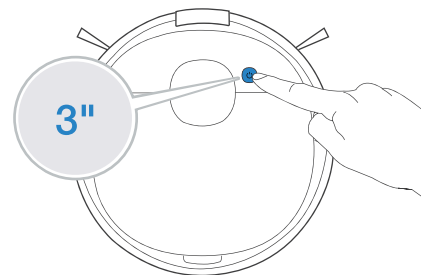


2 Pause



3 Return to Charge

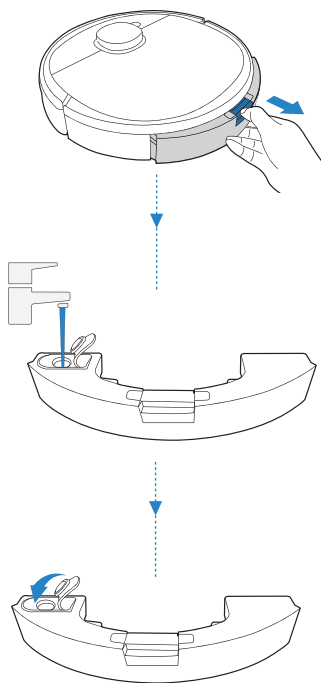
Pressing  for 3 seconds to send DEEBOT back to the Docking Station.



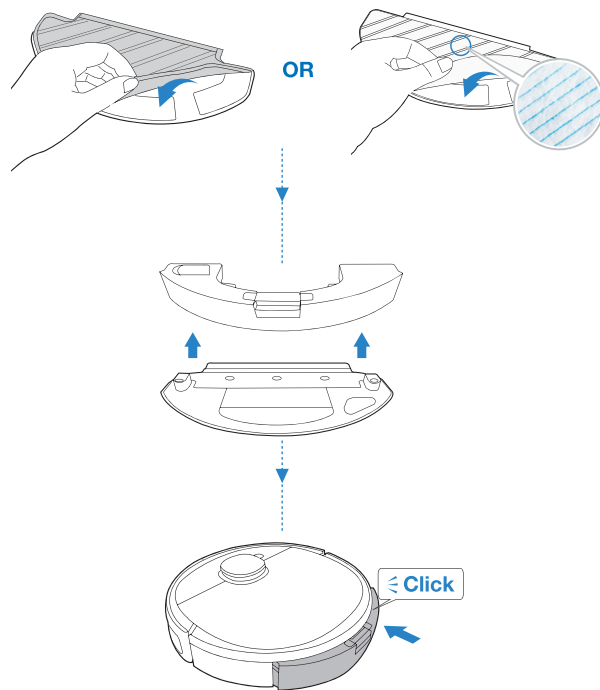
Note: The robot's Control Panel stops glowing after the robot is paused for a few minutes. Press the AUTO Mode Button on DEEBOT to wake up the robot.

3. Operating and Programming/3.6 OZMO Mopping System

1 **Note:** To prolong the service life of the reservoir, it is recommended to use purified water or softened water for OZMO mopping system.



2 **Note:** When DEEBOT is mopping, DEEBOT automatically detects the carpet and keeps away from it. If you need to clean the carpet, please uninstall the mopping pad plate first.



4. Maintenance/4.1 Regular Maintenance

To keep DEEBOT running at peak performance, perform maintenance tasks and replace parts with the following frequencies:

Robot Part	Maintenance Frequency	Replacement Frequency
Disposable Mopping Pad	After each use	Replace after each use
Washable Mopping Pad	After each use	Every 50 washes
Reservoir/Mopping Pad Plate	After each use	/
Side Brush	Once every 2 weeks	Every 3-6 months
Main Brush	Once per week	Every 6-12 months
Sponge Filter/ High Efficiency Filter	Once per week	Every 3-6 months
TrueDetect 3D Sensor Universal Wheel Anti-Drop Sensors Bumper Charging Contacts Docking Station Pins	Once per week	/

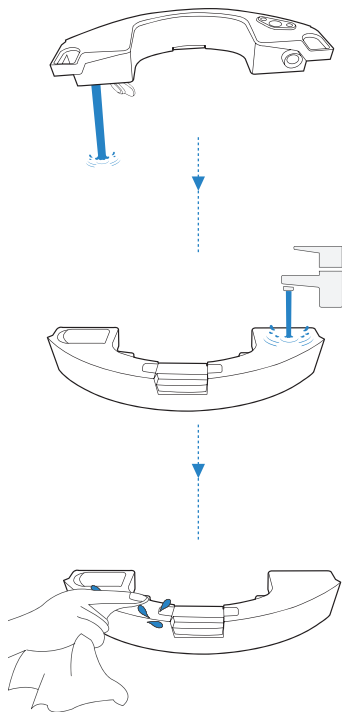
A multi-function Cleaning Tool is provided for easy maintenance. Handle with care, this cleaning tool has sharp edges.

Note: ECOVACS manufactures various replacement parts and fittings. Please contact Customer Service for more information on replacement parts.

4. Maintenance/4.2 OZMO Mopping System

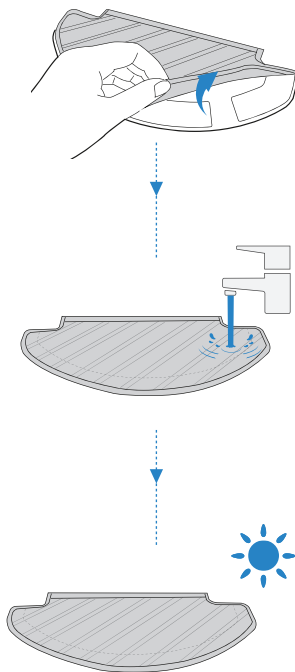
Before performing cleaning and maintenance tasks on DEEBOT, turn the robot OFF and unplug the Docking Station.

1

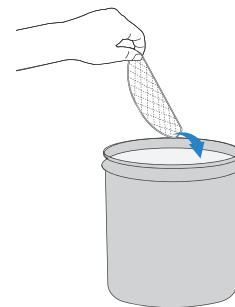


2

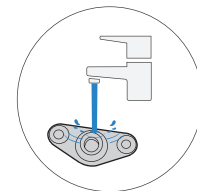
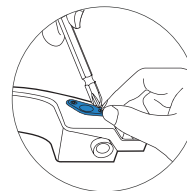
Washable Mopping Pad



Disposable Mopping Pad

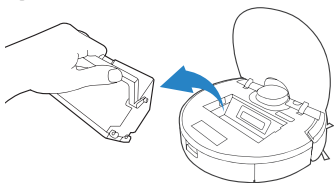


! Clean the water inlet filter on the bottom of the Reservoir if it is clogged.

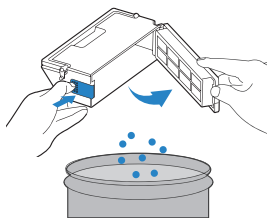


4. Maintenance/4.3 Dust Bin and Filters

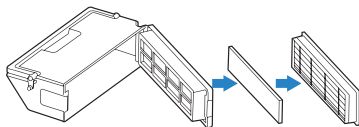
1



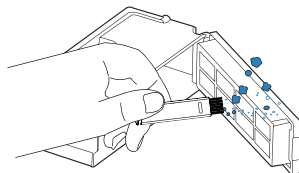
2



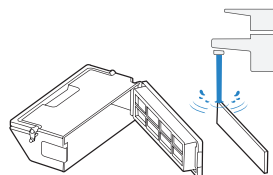
3



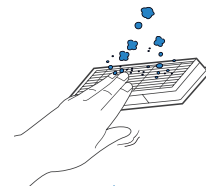
4



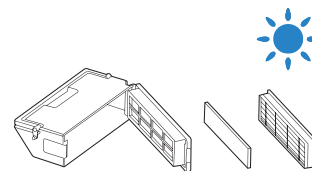
5



6

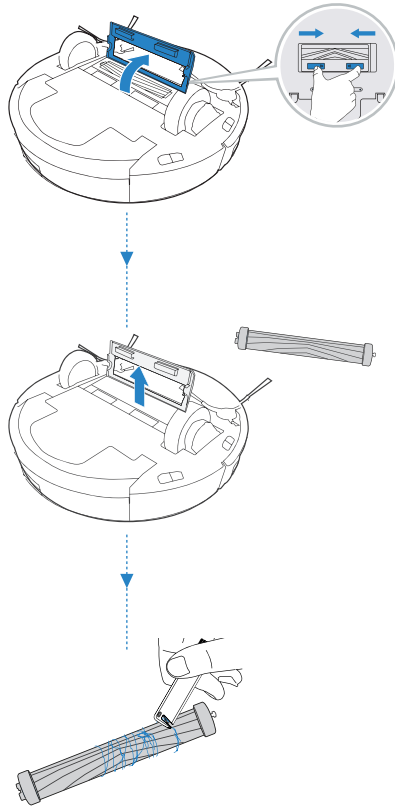


7

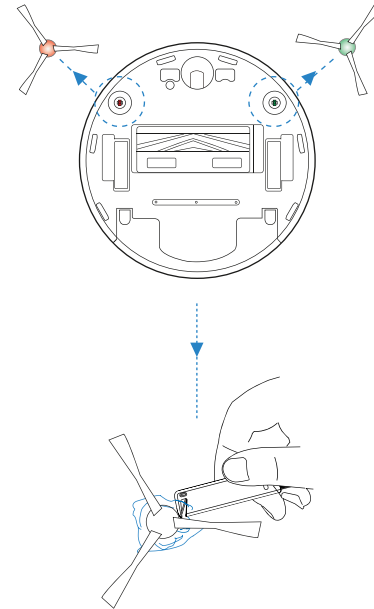


4. Maintenance/4.4 Main Brush and Side Brushes

Main Brush



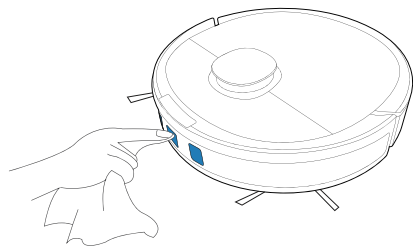
Side Brushes



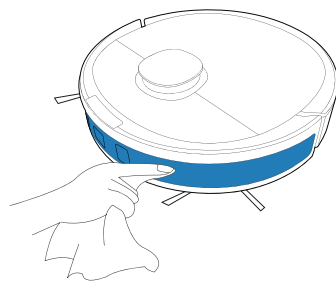
4. Maintenance/4.5 Other Components

Note: Before cleaning the robot's Charging Contacts and Docking Station Pins, turn the robot OFF and unplug the Docking Station.

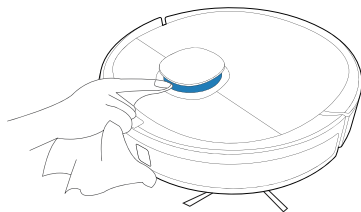
1



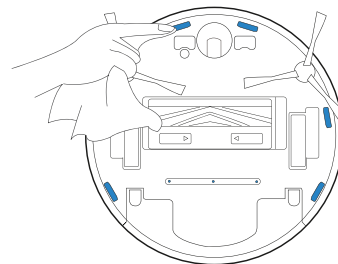
2



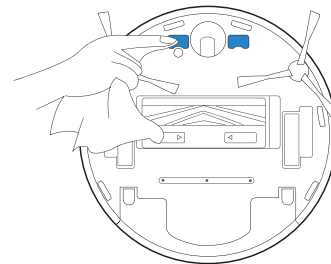
3



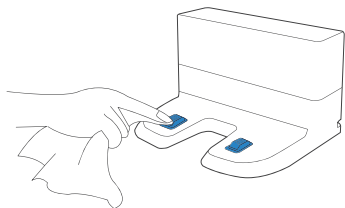
4



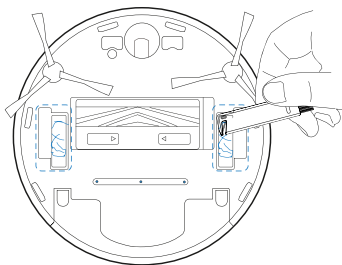
5



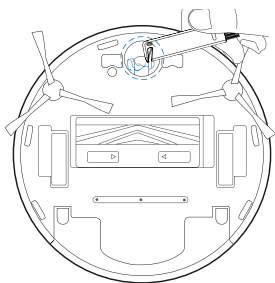
6



7

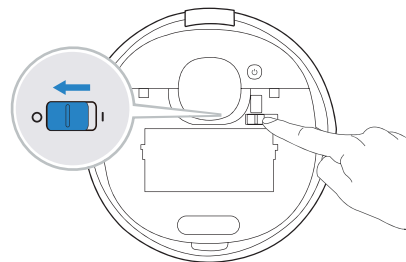


8



4. Maintenance/4.6 Storage

If DEEBOT will not be used for a while, fully charge DEEBOT and power OFF before storage. Charge DEEBOT every 1.5 month to prevent battery drain.



Note: When DEEBOT is not cleaning, it is recommended to keep DEEBOT powered ON and charging.

5. Indicator Light

DEEBOT will tell you something is wrong with an indicator light and voice report. More detailed support is available through the ECOVACS HOME and online website.

Indicator Light	Scenario
AUTO Mode Button glows a solid WHITE	The robot is cleaning.
	The robot is paused while cleaning.
AUTO Mode Button flashes WHITE	The robot is charging.
	The robot is starting.
	The robot is relocating.
AUTO Mode Button glows a solid RED	The robot has low battery.
AUTO Mode Button flashes RED	The robot has a problem.

6. Troubleshooting/6.1 Troubleshooting

No.	Malfunction	Possible Causes	Solutions
1	DEEBOT is not charging.	DEEBOT is not switched ON.	Switch ON DEEBOT.
		DEEBOT has not connected to the Docking Station.	Be sure that the robot's Charging Contacts have connected to the Docking Station Pins.
		The Power Cord is not connected to the Docking Station.	Make sure the Power Cord is firmly connected to the Docking Station.
		The Docking Station is not connected to the power supply.	Make sure the Docking Station is connected to the power supply.
		The battery is completely discharged.	Please contact Customer Care for help.
2	DEEBOT cannot return to the Docking Station.	The Docking Station is not correctly placed.	Refer to section 3.2 to correctly place the Docking Station.
		The Docking Station is not correctly connected.	Make sure the Docking Station is correctly connected.
		The Docking Station is manually moved during the cleaning.	It is suggested not to move the Docking Station during the cleaning.
		DEEBOT is paused for more than 90 minutes.	It is suggested not to pause DEEBOT for more than 90 minutes.
		DEEBOT did not start cleaning from the Docking Station.	Make sure DEEBOT starts cleaning from the Docking Station.
3	DEEBOT gets stuck while working and stops.	DEEBOT is tangled with something on the floor (electrical wires, curtains, carpet fringing, etc.).	DEEBOT will try various ways to free itself. If it is unsuccessful, manually remove the obstacles and restart.
		DEEBOT might be stuck under furniture with an entrance of similar height.	Please set a physical barrier, or set a Virtual Boundary in the ECOVACS HOME App.

No.	Malfunction	Possible Causes	Solutions
4	DEEBOT returns to the Docking Station before it has finished cleaning.	Working time varies according to floor surface, room complexity and the Cleaning Mode selected. When the battery gets low, DEEBOT automatically switches to Recharge Mode and returns to the Docking Station to recharge itself.	Turn on Continuous Cleaning function in ECOVACS HOME App. DEEBOT will automatically resume the uncompleted cleaning cycle when Continuous Cleaning is enabled.
		DEEBOT is unable to reach certain areas blocked by furniture or barriers.	Tidy up the area to be cleaned by putting furniture and small objects in their proper place.
		The Docking Station is too distant from the center of the house.	Please place the Docking Station against the wall of a central room of the house.
5	DEEBOT does not clean automatically at the scheduled time.	Time Scheduling function is cancelled.	Program DEEBOT to clean at specific times using the ECOVACS HOME App.
		DEEBOT is switched OFF.	Switch ON DEEBOT.
		The robot's battery is low.	Keep DEEBOT switched ON and connected to the Docking Station to make sure it has a full battery to work at any time.
6	The water is not coming out of the Reservoir when DEEBOT is mopping.	The water inlet filter on the bottom of Reservoir is clogged.	Unscrew the water inlet on the bottom of Reservoir and clean the filter as described in Section 4.1.
		The Reservoir runs out of water.	Add water into the Reservoir.
		The water outlets on the bottom of DEEBOT are clogged.	Check the water outlets on the bottom and clean.

No.	Malfunction	Possible Causes	Solutions
7	DEEBOT misses cleaning spots to be cleaned, or repeats cleaning the area cleaned.	The cleaning cycle is interfered by small objects or barriers on the floor.	Remove power cords and small objects from the floor to ensure cleaning efficiency. DEEBOT will automatically clean the area missed, please avoid moving DEEBOT manually or block the path during the cleaning cycle.
		DEEBOT is working on slippery polished floors.	Make sure the floor wax is dried before DEEBOT starts cleaning.
		DEEBOT is unable to reach certain areas blocked by furniture or barriers.	Tidy up the area to be cleaned by putting furniture and small objects in their proper place.
		The TrueMapping Distance Sensor is blocked.	Remove the objects that are blocking the TrueMapping Distance Sensor.
8	DEEBOT is making too much noise when cleaning.	DEEBOT is tangled or blocked with debris.	Clean DEEBOT as described in section 4 Maintenance and restart. If the trouble persists, please contact Customer Care.
9	DEEBOT is not able to connect to the home Wi-Fi network.	Incorrect home Wi-Fi username or password entered.	Enter the correct home Wi-Fi username and password.
		Incorrect App installed.	Please download and install ECOVACS HOME App.
		DEEBOT is not within range of your home Wi-Fi signal.	Make sure DEEBOT is within range of your home Wi-Fi signal.
		Network setup started before DEEBOT was ready.	Turn ON Power Switch. Press the RESET Button. DEEBOT is ready for network setup when its Wi-Fi Indicator light flashes slowly.
		DEEBOT does not support 5 GHz Wi-Fi.	Make sure the robot has been connected with 2.4 GHz Wi-Fi network.

No.	Malfunction	Possible Causes	Solutions
10	DEEBOT does not clean the whole area.	The cleaning area is not tidy.	Remove small objects from the floor and tidy up the cleaning area before DEEBOT starts cleaning.
11	DEEBOT reservoir drops out of place during use.	The reservoir is not correctly installed.	Make sure DEEBOT reservoir clicks into place when installing.
12	DEEBOT Side Brushes drop out of place during use.	The Side Brushes are not correctly installed.	Make sure the Side Brushes click into place when installing.

6. Troubleshooting/6.2 Wi-Fi Connection

Before Wi-Fi setup, make sure DEEBOT, mobile phone, and Wi-Fi network meet the following requirements.

DEEBOT and Mobile Phone Requirements

- DEEBOT is fully charged and the power switch of DEEBOT is turned on.
- Wi-Fi status light slowly flashes.
- Turn off mobile phone's cellular data (you can turn it back on after setup).

Wi-Fi Network Requirements

- You are using a 2.4GHz or 2.4/5 GHz mixed network.
- Your router supports 802.11b/g/n and IPv4 protocol.
- Do not use a VPN (Virtual Private Network) or Proxy Server.
- Do not use a hidden network.
- WPA and WPA2 using TKIP, PSK, AES/CCMP encryption.
- WEP EAP (Enterprise Authentication Protocol) is not supported.
- Use Wi-Fi channels 1-11 in North America and channels 1-13 outside North America (refer to local regulatory agency).
- If you are using a network extender/repeater, the network name (SSID) and password are the same as your primary network.

7. Technical Specifications

Model	DLN11			
Rated Input	20V === 1A			
Docking Station Model	CH1822		CH1918 *	
	Rated Input	100-240V~ 50-60Hz 0.5A	Rated Input	120V~ 50-60Hz 8A
	Rated Output	20V === 1A	Rated Output (Charging)	20V === 1A

Output power of the Wi-Fi module is less than 100mW.

Note: Technical and design specifications may be changed for continuous product improvement.

* CH1918 is an Auto-Empty Station that automatically empties your DEEBOT's dustbin. Explore more accessories at <https://www.ecovacs.com/global>.

Live Smart. Enjoy Life.

Si vous rencontrez des situations qui ne sont pas traitées avec suffisamment de précision dans ce manuel d'instructions, veuillez communiquer avec un technicien de notre centre de service à la clientèle qui saura vous aider à résoudre votre problème particulier ou répondre à votre question.

Pour de plus amples informations, veuillez visiter le site Web officiel d'ECOVACS ROBOTICS à l'adresse suivante : www.ecovacs.com

L'entreprise se réserve le droit d'apporter des modifications techniques ou liées à la conception de ce produit à des fins d'amélioration continue.

Merci d'avoir choisi DEEBOT!

Table des matières

1. Instructions importantes de sécurité	33
2. Contenu de l'emballage	39
3. Fonctionnement et programmation.....	42
4. Entretien	48
5. Voyant d'état	54
6. Dépannage	55
7. Spécifications techniques	60

1. Instructions importantes de sécurité

INSTRUCTIONS IMPORTANTES DE SÉCURITÉ

LIRE TOUTES LES INSTRUCTIONS AVANT L'UTILISATION DE L'APPAREIL.

CONSERVER CES INSTRUCTIONS

Pour une utilisation domestique seulement

Lors de l'utilisation d'un appareil électrique, les précautions de base suivantes doivent être suivies :

AVERTISSEMENT : Lire tous les avertissements et instructions de sécurité. Ne pas suivre les avertissements et les instructions peut entraîner une décharge électrique, un incendie ou des blessures graves.

1. L'appareil ne doit pas être utilisé comme un jouet. Une attention particulière est nécessaire lorsqu'il est utilisé par des enfants ou près d'eux;
2. Rangez la région à nettoyer. Retirez les cordons d'alimentation et les petits objets situés sur le plancher qui pourraient s'enchevêtrer dans l'appareil. Glissez les

franges sous le tapis, dégagez le plancher et relevez les bouts des rideaux et des nappes;

3. En cas de présence d'un point de chute dans la zone de nettoyage à cause d'une marche ou d'un escalier, vous devriez utiliser l'appareil afin de vous assurer qu'il est en mesure de détecter la marche sans tomber. Il pourrait être nécessaire de placer une barrière physique au bord d'une descente pour empêcher l'unité de tomber. Assurez-vous que la barrière ne représente pas un risque de trébuchement;
4. Utilisez l'appareil seulement de la manière décrite dans ce manuel. Utilisez seulement les accessoires recommandés ou vendus par le fabricant;
5. Veuillez vous assurer que la tension d'alimentation de la prise corresponde à la tension d'alimentation indiquée sur la station de charge;
6. Ne manipulez pas la fiche électrique ou l'appareil avec des mains humides;
7. Les batteries non rechargeables sont interdites;
8. N'utilisez pas l'appareil si le bac à poussière ou les filtres ne sont pas en place;

9. N'utilisez pas l'aspirateur dans une pièce avec des chandelles allumées ou des objets fragiles sur le plancher à nettoyer;
10. N'utilisez pas l'appareil et ne l'entreposez pas dans un environnement à température extrêmement chaude ou froide (inférieure à -5 °C/23 °F ou supérieure à 40 °C/104 °F). Veuillez charger le robot à une température supérieure à 0 °C/32 °F et en dessous de 40 °C/104 °F;
11. Les cheveux, les vêtements amples, les doigts et toutes les autres parties du corps doivent être tenus à l'écart de toute ouverture et de toute pièce mobile;
12. N'utilisez pas l'appareil dans une pièce où dort un nourrisson ou un enfant;
13. Pour une utilisation INTÉRIEURE SEULEMENT. N'utilisez pas l'appareil à l'extérieur ou à des fins commerciale ou industrielle. N'utilisez pas l'appareil sur une surface humide ou mouillée;
14. Évitez que l'appareil ne ramasse de gros objets, comme des pierres, de gros morceaux de papier ou tout autre objet pouvant boucher l'appareil;
15. N'utilisez pas l'appareil pour ramasser des produits inflammables ou combustibles comme de l'essence, de l'encre d'imprimante ou de copieur, ou encore dans un endroit où ces produits peuvent être présents;
16. N'utilisez pas l'appareil pour ramasser des objets qui sont en combustion ou qui émettent de la fumée comme des cigarettes, des allumettes, des cendres chaudes ou tout autre objet pouvant causer un incendie;
17. Ne placez pas d'objets dans les ouvertures. N'utilisez pas l'appareil avec une ouverture bouchée; gardez les ouvertures exemptes de poussière, de peluche, de cheveux et de tout autre objet pouvant réduire la circulation d'air;
18. Veillez à ne pas endommager le cordon d'alimentation. Ne tirez pas sur le cordon d'alimentation de l'appareil ou sur celui de la station de charge et ne transportez pas l'appareil ou la station de charge en les tenant par le cordon d'alimentation, n'utilisez pas le cordon d'alimentation comme une poignée, ne fermez pas de porte sur le cordon d'alimentation et ne tirez pas le cordon d'alimentation autour de rebords ou de coins coupants. Ne faites pas passer l'appareil sur le cordon d'alimentation. Gardez le cordon d'alimentation éloigné de toute surface

- chaude. Ne tirez pas sur le cordon pour débrancher l'appareil, tirez plutôt sur la fiche électrique;
19. Si le cordon d'alimentation est endommagé, il doit être remplacé par le fabricant ou par un agent de service à la clientèle pour éviter tout danger;
 20. N'utilisez pas la station de charge si elle est endommagée;
 21. Ne les utilisez pas avec une fiche endommagée ou un cordon d'alimentation endommagé. N'utilisez ni l'appareil ni la station de charge s'ils ne fonctionnent pas normalement, s'ils ont été échappés, endommagés, laissés à l'extérieur ou s'ils entrés en contact avec un liquide. Si une réparation est nécessaire, elle doit être effectuée par le fabricant ou un agent de service à la clientèle pour éviter tout danger;
 22. Mettez l'appareil HORS TENSION à l'aide de l'interrupteur d'alimentation avant de nettoyer ou de faire l'entretien de l'appareil. Fermez toutes les commandes avant de le débrancher. Éteignez toujours l'appareil avant de brancher ou de débrancher la buse motorisée;
 23. La fiche électrique doit être retirée de la prise avant d'effectuer le nettoyage ou l'entretien de la station de charge;
 24. Retirez l'appareil de la station de charge et mettez-le HORS TENSION à l'aide de l'interrupteur d'alimentation de l'appareil avant de déposer la batterie pour la mise au rebut de l'appareil;
 25. La batterie doit être déposée et mise au rebut de façon appropriée et en accord avec les lois et réglementations locales avant la mise au rebut de l'appareil;
 26. Veuillez mettre les batteries au rebut selon les lois et règlements locaux;
 27. N'incinerez pas l'appareil même s'il est gravement endommagé. Les batteries peuvent exploser lors d'un incendie;
 28. Veuillez débrancher la station de charge si elle n'est pas utilisée pendant un long moment;
 29. L'appareil doit être utilisé selon les directives fournies dans ce manuel d'instructions. ECOVACS ROBOTICS ne peut pas être tenu responsable des blessures ou des dommages causés par une utilisation inappropriée;
 30. Prévenez le démarrage accidentel. Assurez-vous que l'interrupteur est en position arrêt avant de connecter l'appareil au bloc-

batterie, de le ramasser ou de le transporter. Transporter l'appareil avec votre doigt sur l'interrupteur ou avec l'appareil alimenté avec l'interrupteur en position de marche peut augmenter les risques d'accident;

31. Lorsque le bloc-batterie n'est pas utilisé, tenez-le à l'écart d'autres objets métalliques comme des trombones, des pièces de monnaie, des clés, des vis, des clous ou d'autres petits objets métalliques qui peuvent établir une connexion d'une borne à l'autre. Un court-circuit des bornes de la batterie peut causer des brûlures ou un incendie;
32. Dans des conditions abusives, du liquide peut être éjecté de la batterie; évitez le contact. En cas de contact accidentel, rincez immédiatement les parties atteintes avec de l'eau. Si du liquide entre en contact avec les yeux, consultez en plus un professionnel de la santé. Le liquide s'échappant de la batterie peut causer des irritations ou des brûlures;
33. N'utilisez pas un bloc-batterie ou un appareil qui est endommagé ou modifié. Les batteries endommagées ou modifiées peuvent avoir un comportement imprévisible pouvant causer un incendie, une explosion ou des blessures;

34. N'exposez pas un bloc-batterie ou un appareil au feu ou à une température élevée. Une exposition au feu ou à une température supérieure à 130 °C peut causer une explosion. La température de 130 °C est équivalente à 265 °F;
35. Suivez toutes les instructions de charge et ne chargez pas le bloc-batterie ou l'appareil si la température est en dehors de la plage spécifiée dans les instructions. Une charge incorrecte ou à une température en dehors de la plage spécifiée peut endommager la batterie et augmenter le risque d'incendie;
36. L'entretien doit être fait par un technicien qualifié seulement avec des pièces de remplacement identiques. Cela assurera le maintien de la sécurité du produit;
37. Ne modifiez pas l'appareil ou le bloc-batterie (le cas échéant), sauf comme indiqué dans les instructions d'utilisation et d'entretien;
38. Enlevez les cordons d'autres appareils de la zone à nettoyer;
39. N'utilisez pas l'aspirateur dans une pièce qui contient des chandelles sur des meubles que l'aspirateur pourrait accidentellement frapper ou percuter;

40. Ne laissez pas les enfants s'asseoir sur l'aspirateur;
41. Utilisez l'appareil seulement de la manière décrite dans ce manuel. Utilisez seulement des accessoires recommandés par le fabricant;
42. Ne chargez qu'avec le chargeur recommandé par le fabricant. Un chargeur qui est adapté pour un type de bloc-batterie peut créer un risque d'incendie, lorsqu'utilisé avec un autre bloc-batterie;
43. Utilisez les appareils uniquement avec les blocs-batteries conçus à cet effet. L'utilisation de tout autre bloc-batterie peut créer un risque de blessure et d'incendie;
44. Le robot contient des batteries qui ne sont remplaçables que par des personnes qualifiées. Pour remplacer la batterie du robot, veuillez communiquer avec le service à la clientèle;
45. Si le robot n'est pas utilisé pour une période prolongée, chargez complètement le robot, mettez-le HORS TENSION pour l'entreposer et débranchez la station de charge;
46. Pour réduire le risque de décharge électrique, n'utilisez pas cet appareil sur des surfaces humides. Ne l'exposez pas à la pluie. Entreposez-le à l'intérieur;
47. Pour réduire le risque de blessure lié aux pièces en mouvement, débranchez l'appareil avant tout entretien;
48. Risque de blessure. La brosse peut démarrer de manière inattendue. Débranchez l'appareil avant de procéder à son nettoyage ou à son entretien;
49. Pour réduire le risque de blessure, l'utilisateur doit lire le manuel d'instructions;
50. Pour réduire le risque de décharge électrique, n'utilisez pas cet appareil à l'extérieur ou sur des surfaces humides.

===	Courant continu
~	Courant alternatif

Cet appareil est conforme aux règles de radiation du DHHS, 21 CFR chapitre 1, sous-chapitre J.

Déclaration sur les interférences de la Commission fédérale des communications (FCC – Federal Communications Commission)

Cet équipement a été testé et jugé conforme aux limites pour appareils numériques de classe B, conformément à la section 15 des règlements de la FCC.

Ces limites sont destinées à assurer une protection raisonnable contre les interférences nuisibles dans une installation résidentielle. Cet équipement génère, utilise et peut émettre de l'énergie radiofréquence et peut, en cas d'installation ou d'utilisation non conforme aux instructions, engendrer des interférences nuisibles aux communications radio.

Cependant, on ne peut pas garantir que des interférences ne se produiront pas dans certaines installations. Si cet équipement cause des interférences nuisibles à la réception des signaux de radio ou de télévision, ce qui peut être déterminé en allumant et en éteignant l'appareil, nous conseillons à l'utilisateur d'essayer de corriger ces interférences à l'aide d'un des moyens suivants :

- Réorienter ou repositionner l'antenne de réception;
- Augmenter la distance séparant l'équipement du récepteur;
- Brancher l'appareil dans une prise différente ou sur un circuit différent de celui ou celle du récepteur;
- Consulter le revendeur ou un technicien qualifié spécialisé en radio/téléviseur pour obtenir de l'aide.

Cet appareil est conforme à la section 15 des règlements de la FCC. L'utilisation est sous réserve des deux conditions suivantes :

(1) cet appareil ne doit pas engendrer des interférences nuisibles et (2) cet appareil doit accepter toute interférence reçue, y compris les interférences pouvant entraîner un fonctionnement indésirable.

Avertissement de la FCC : Toute transformation ou modification non expressément autorisée par l'autorité responsable de la conformité pourraient annuler le droit de l'utilisateur à utiliser cet équipement.

Avertissement relatif à l'exposition aux radio fréquences

Cet équipement est conforme aux limites d'exposition aux radiations définies par la FCC pour un environnement non contrôlé.

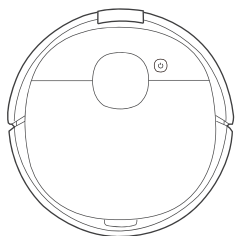
Cet équipement doit être installé et utilisé conformément aux instructions fournies, et la ou les antennes utilisées pour cet émetteur doivent être installées afin de fournir une distance de séparation d'au moins 20 cm de toute personne et ne doivent pas être colocalisées ni fonctionner avec en combinaison avec une autre antenne ou un autre émetteur.

Pour désactiver le module Wi-Fi de DEEBOT, mettez le robot SOUS TENSION. Placez le robot sur la station de charge en vous assurant que les points de contact de la charge de DEEBOT et les broches de la station de charge se touchent.

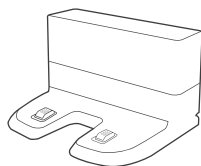
Maintenez enfoncé le bouton du mode AUTOMATIQUE se trouvant sur le robot pendant 20 secondes, jusqu'à ce que DEEBOT émette 3 bips.

Pour activer le module Wi-Fi de DEEBOT, mettez le robot HORS TENSION, puis remettez SOUS TENSION. Le module Wi-Fi est activé lorsque DEEBOT est redémarré.

2. Contenu de l'emballage / 2.1 Contenu de l'emballage



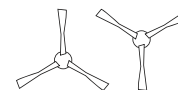
Robot



Station de charge



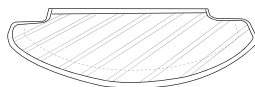
Manuel d'instructions



Brosses latérales



Plaque pour tampon nettoyeur



Tampon nettoyeur lavable

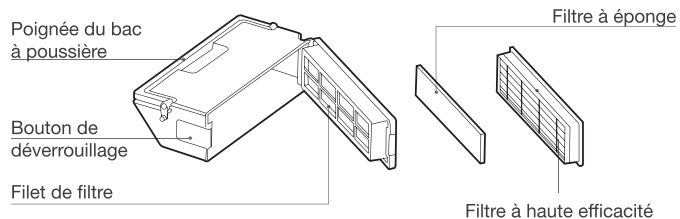
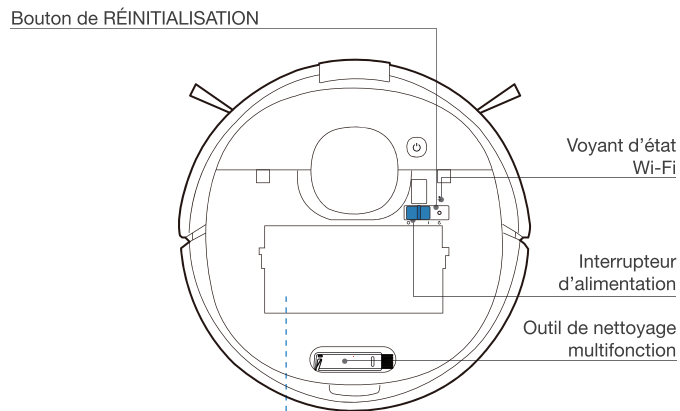
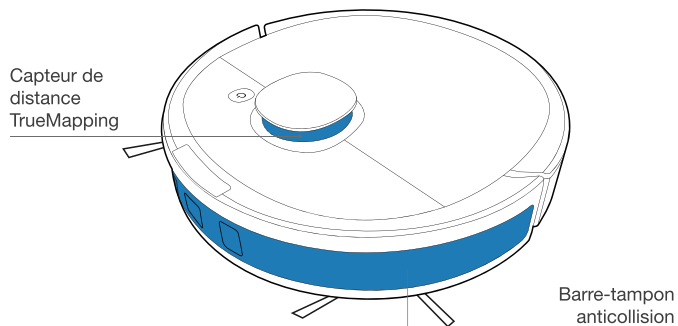
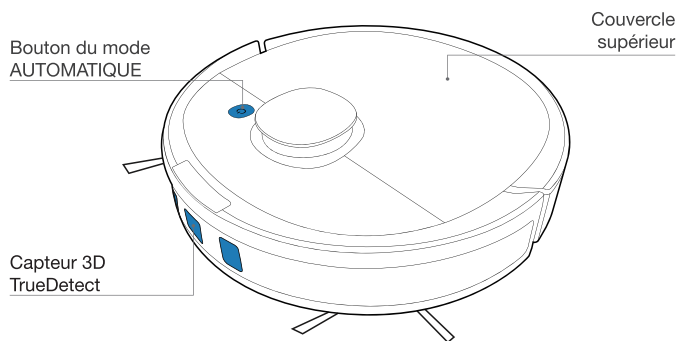


Tampons nettoyeurs jetables

Remarque : Les figures et les illustrations sont offertes à titre de référence seulement et peuvent être différentes du produit réel. Le design du produit et ses spécifications sont assujettis à des modifications sans préavis.

2. Contenu de l'emballage / 2.2 Diagramme schématique du produit

Robot

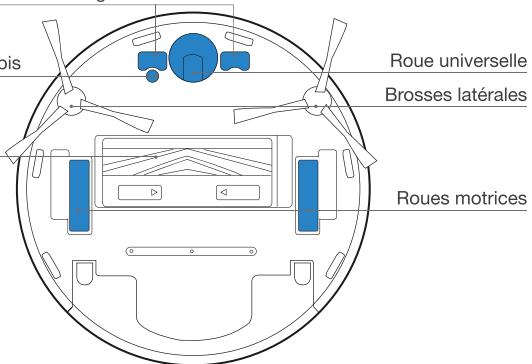


Vue du bas

Points de contact de la charge

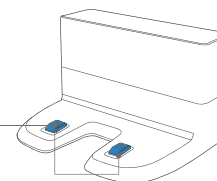
Capteurs de
détection des tapis

Brosse
principale

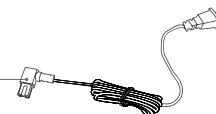


Station de charge

Broches de la station
de charge



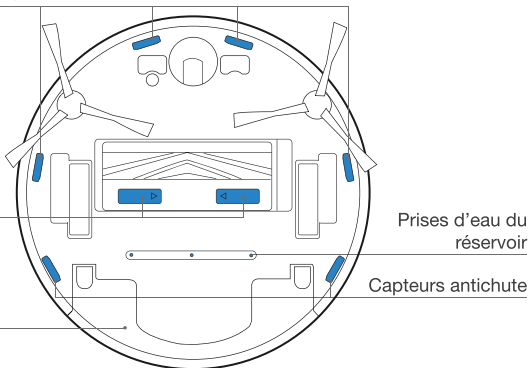
Cordon d'alimentation



Capteurs antichute

Bouton de
déverrouillage
de la brosse
principale

Réservoir



Réservoir

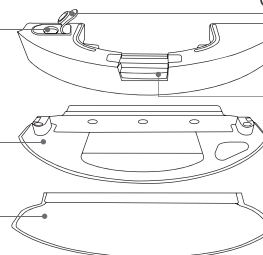
Arrivée d'eau

Plaque pour tampon
nettoyeur

Chiffon de nettoyage

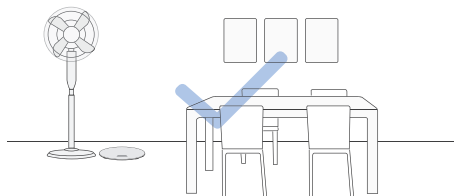
Couvercle d'arrivée d'eau

Bouton de
déverrouillage du
réservoir

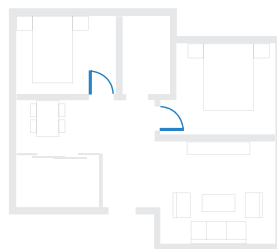


3. Fonctionnement et programmation / 3.1 Remarques précédant le nettoyage

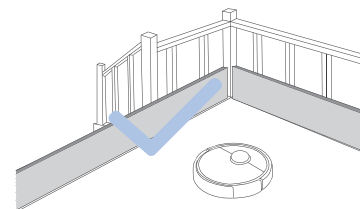
Rangez la zone à nettoyer en replaçant les meubles comme les chaises à leur place.



Lors de la première utilisation, assurez-vous que toutes les portes de la pièce sont ouvertes pour permettre à DEEBOT d'explorer entièrement votre maison.



Il pourrait être nécessaire de placer une barrière physique au bord d'une descente pour empêcher l'unité de tomber.



Rangez les objets, y compris les câbles, les chiffons et les pantoufles, etc., sur le plancher pour améliorer l'efficacité du nettoyage.



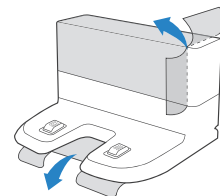
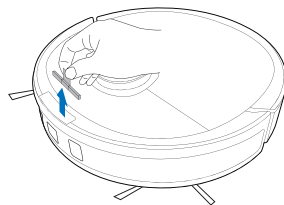
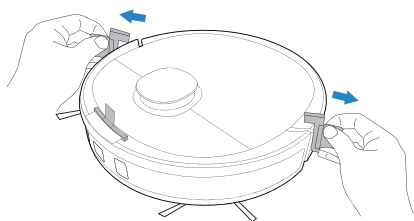
Avant d'utiliser le produit sur une carpepe, veuillez replier les franges sous la carpepe.



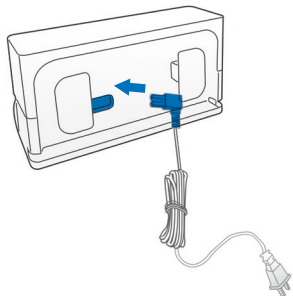
Veillez éviter de vous trouver dans les espaces étroits, comme les passages, et assurez-vous de ne pas obstruer le capteur de détection.

3. Fonctionnement et programmation / 3.2 Démarrage rapide

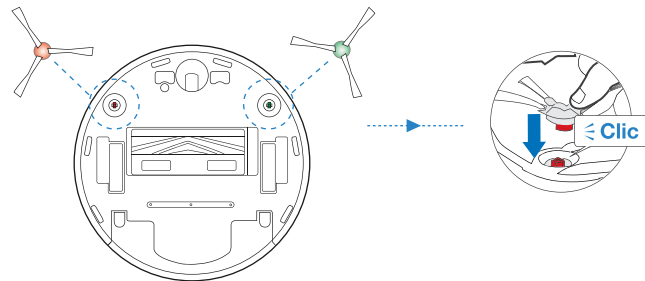
1 Retrait des bandes et des films de protection



2 Assemblage de la station de charge

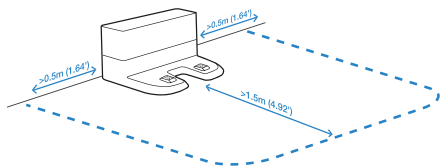


3 Installation des brosses latérales

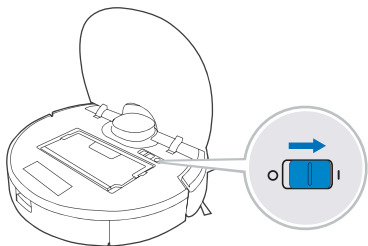


3. Fonctionnement et programmation / 3.3 Charge de DEEBOT

1 Disposition de la station de charge



2 Mise SOUS TENSION





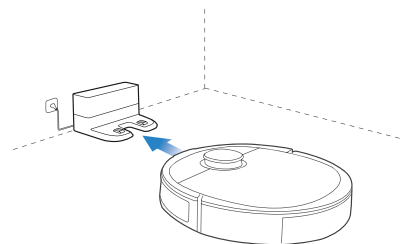
Remarque : I = MISE SOUS TENSION, O = MISE HORS TENSION.

! DEEBOT ne peut pas être chargé lorsque l'appareil est HORS TENSION.

3 Charge de DEEBOT

Videz l'eau résiduelle du réservoir et retirez la plaque pour tampon nettoyeur avant de charger le DEEBOT.

 clignote lorsque DEEBOT est en cours de charge.  s'éteint lorsque DEEBOT est complètement chargé.



* Vous pouvez également acheter une station à vidange automatique qui vide automatiquement le bac à poussière de votre DEEBOT. Découvrez d'autres accessoires sur <https://www.ecovacs.com/global>.

3. Fonctionnement et programmation / 3.4 Application ECOVACS HOME


Pour profiter de toutes les fonctionnalités disponibles, il est recommandé de commander votre DEEBOT au moyen de l'application ECOVACS HOME.

Avant de commencer, assurez-vous que :

- votre téléphone mobile est connecté à un réseau Wi-Fi;
- le signal sans fil de bande 2,4 GHz est activé sur votre routeur;
- le voyant d'état Wi-Fi de DEEBOT clignote lentement.



Voyant d'état Wi-Fi

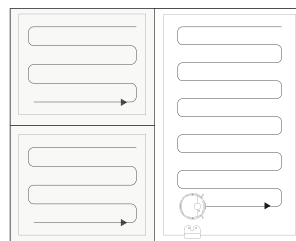
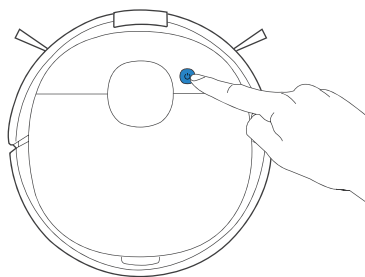
	Clignotement lent	Déconnecté du Wi-Fi ou en attente de connexion Wi-Fi
	Clignotement rapide	Connexion au Wi-Fi
	Continu	Connecté au Wi-Fi

Conseils : Si vous rencontrez des problèmes lors du processus de configuration Wi-Fi, reportez-vous à la section Dépannage > Connexion Wi-Fi de ce manuel.

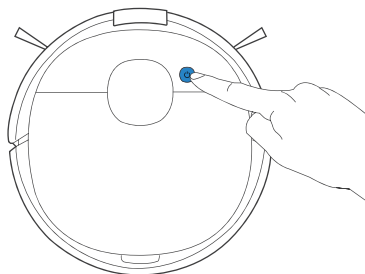
3. Fonctionnement et programmation / 3.5 Fonctionnement de DEEBOT

Lors du premier nettoyage, veuillez superviser DEEBOT et l'aider en cas de problème.

1 Mise en marche

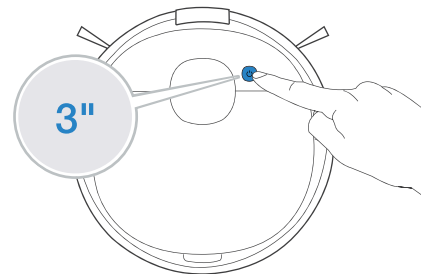


2 Mise en pause



3 Retour à la station de charge

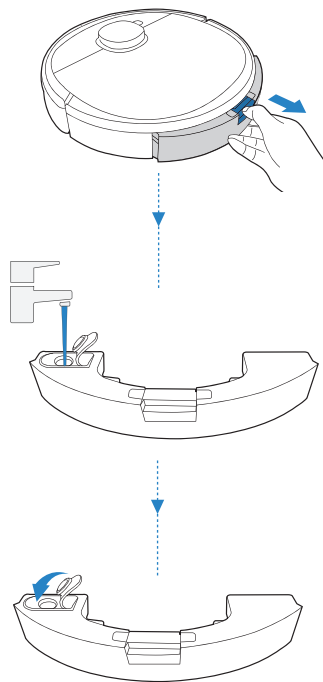
Appuyez sur  pendant 3 secondes pour renvoyer DEEBOT à la station de charge.



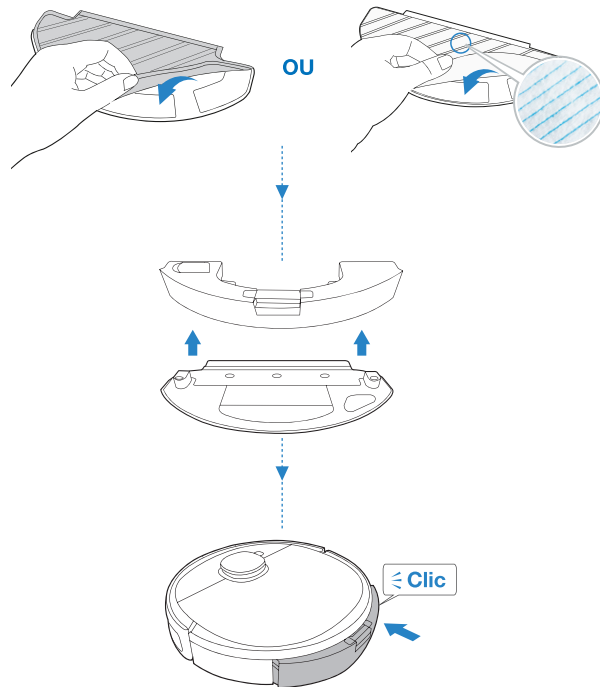
Remarque : Le panneau de contrôle du robot cesse de clignoter s'il est mis en pause pendant quelques minutes. Appuyez sur le bouton du mode AUTOMATIQUE sur DEEBOT pour éveiller le robot.

3. Fonctionnement et programmation / 3.6 Système de nettoyage avancé OZMO

- 1 **Remarque :** Afin de prolonger la durée de vie utile du réservoir, il est recommandé d'utiliser de l'eau purifiée ou de l'eau plate pour le système de nettoyage avancé OZMO.



- 2 **Remarque :** Lorsque DEEBOT nettoie, il détecte automatiquement les tapis et s'en éloigne. Si vous devez nettoyer le tapis, veuillez commencer par désinstaller la plaque pour tampon nettoyeur.



4. Entretien / 4.1 Entretien régulier

Pour que DEEBOT conserve des performances optimales, effectuez les tâches d'entretien et le remplacement des pièces selon les fréquences suivantes :

Pièce du robot	Fréquence d'entretien	Fréquence de remplacement
Tampon nettoyeur jetable	Après chaque utilisation	Remplacer après chaque utilisation
Tampon nettoyeur lavable	Après chaque utilisation	Tous les 50 nettoyages
Réservoir et plaque pour tampon nettoyeur	Après chaque utilisation	/
Brosse latérale	Une fois toutes les 2 semaines	Tous les 3 à 6 mois
Brosse principale	Une fois par semaine	Tous les 6 à 12 mois
Filtre à éponge et filtre à haute efficacité	Une fois par semaine	Tous les 3 à 6 mois
Capteur 3D TrueDetect Roue universelle Capteurs antichute Barre-tampon Points de contact de la charge Broches de la station de charge	Une fois par semaine	/

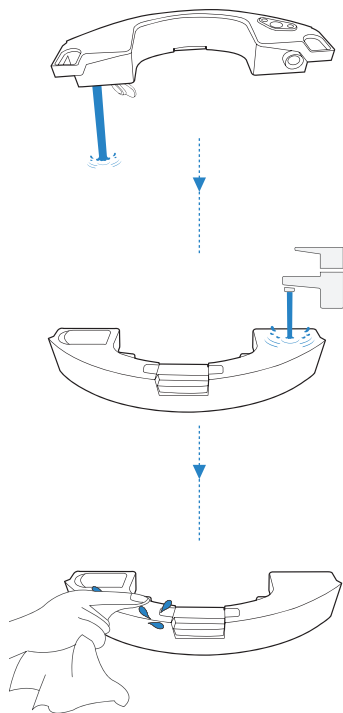
Un outil de nettoyage multifonction est fourni pour faciliter l'entretien. Manipulez avec soin; cet outil de nettoyage a des bords coupants.

Remarque : ECOVACS fabrique différentes pièces et raccords de remplacement. Communiquez avec le service à la clientèle pour davantage d'information sur les pièces de remplacement.

4. Entretien / 4.2 Système de nettoyage avancé OZMO

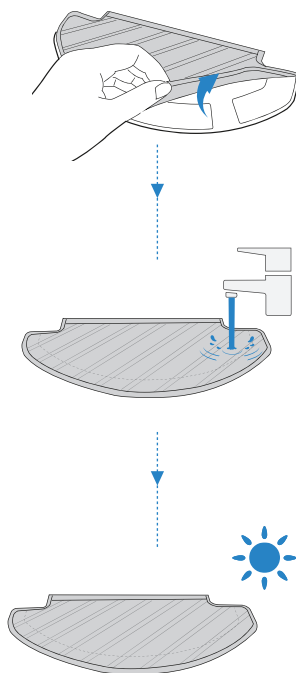
Avant d'effectuer des tâches de nettoyage et d'entretien sur DEEBOT, mettez le robot HORS TENSION et débranchez la station de charge.

1

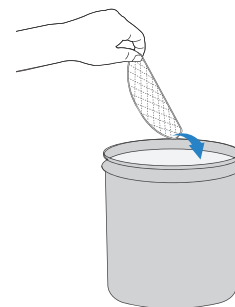


2

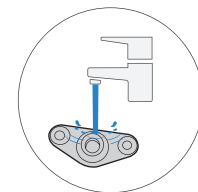
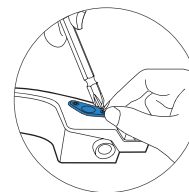
Tampon nettoyeur lavable



Tampon nettoyeur jetable

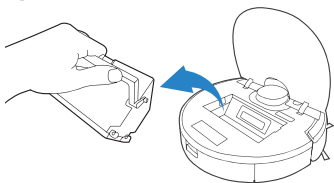


! Nettoyer le filtre de l'arrivée d'eau situé au bas du réservoir s'il est bouché.

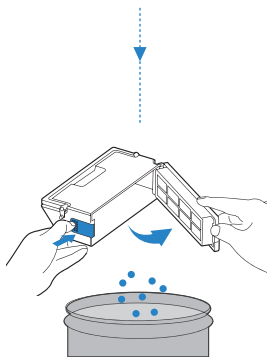


4. Entretien / 4.3 Bac à poussière et filtres

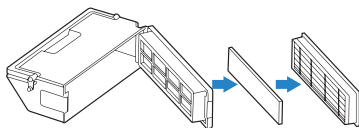
1



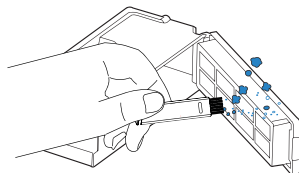
2



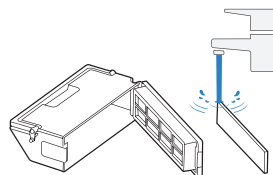
3



4



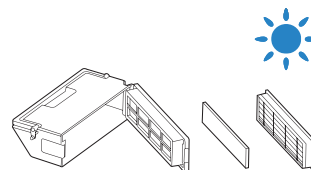
5



6

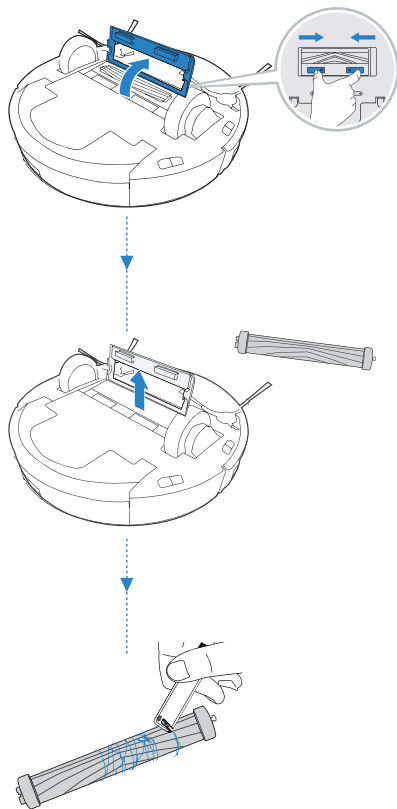


7

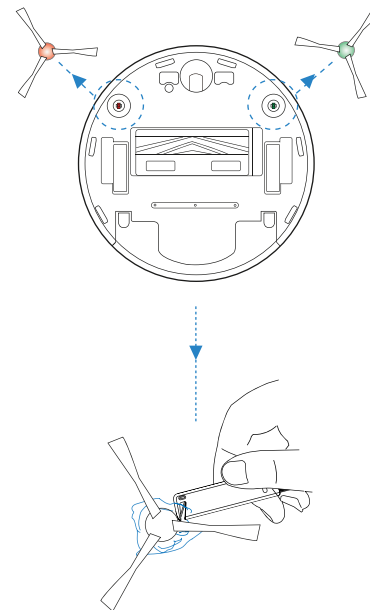


4. Entretien / 4.4 Brosse principale et brosses latérales

Brosse principale



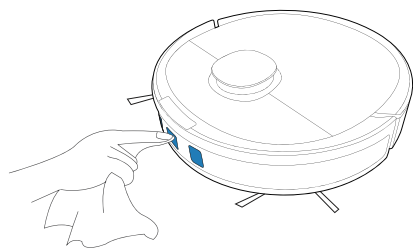
Brosses latérales



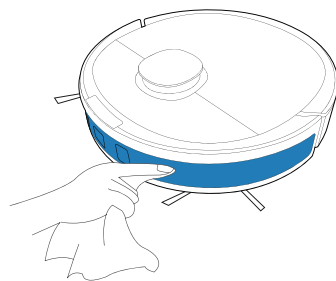
4. Entretien / 4.5 Autres composants

Remarque : Avant de nettoyer les points de contact de la charge du robot et les broches de la station de charge, mettez le robot HORS TENSION et débranchez la station de charge.

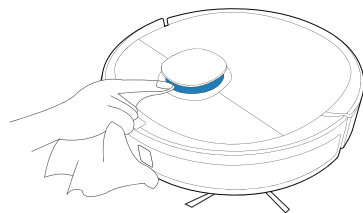
1



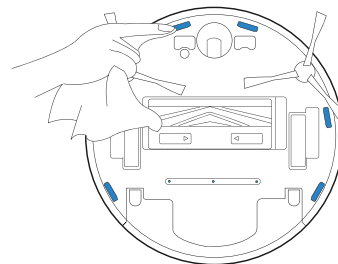
2



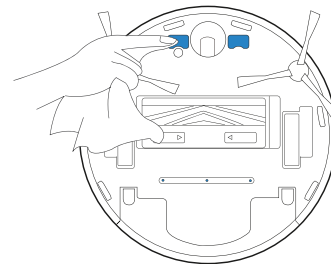
3



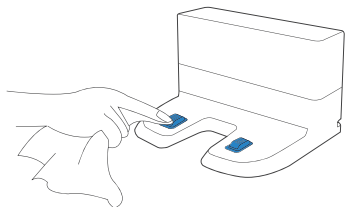
4



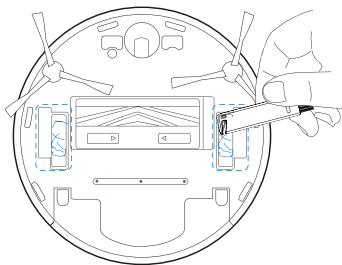
5



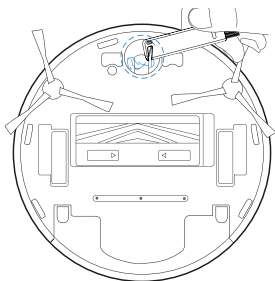
6



7

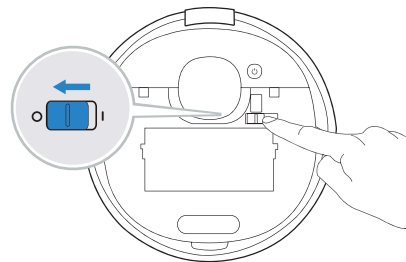


8



4. Entretien / 4.6 Stockage

Si DEEBOT n'est pas utilisé pendant une longue période, veuillez charger complètement DEEBOT et le mettre HORS TENSION avant de le ranger. Chargez DEEBOT tous 45 jours pour éviter de vider la batterie.



Remarque : Lorsque DEEBOT n'est pas en fonction, il est recommandé de le laisser ALLUMÉ et en train de charger.

5. Voyant d'état

DEEBOT vous indiquera si quelque chose ne marche pas à l'aide d'un voyant d'état et d'un rapport vocal. Du support plus détaillé est disponible dans l'application ECOVACS HOME et sur le site Web.

Voyant d'état	Scénario
Le bouton de mode AUTO est allumé en BLANC continu	Le robot procède à un nettoyage.
	Le robot est mis en pause pendant le nettoyage.
Le bouton de mode AUTO clignote en BLANC	Le robot est en cours de charge.
	Le robot est en cours de démarrage.
	Le robot est en cours de repositionnement.
Le bouton de mode AUTO est allumé en ROUGE continu	La batterie du robot est faible.
Le bouton de mode AUTO clignote en ROUGE	Le robot a un problème.

6. Dépannage / 6.1 Dépannage

N°	Mauvais fonctionnement	Causes possibles	Solutions
1	DEEBOT ne charge pas.	DEEBOT n'est pas SOUS TENSION.	Mettez DEEBOT SOUS TENSION.
		DEEBOT n'est pas connecté à la station de charge.	Assurez-vous que les points de contact du robot sont connectés aux broches de la station de charge.
		Le cordon d'alimentation n'est pas connecté à la station de charge.	Assurez-vous que le cordon d'alimentation est fermement connecté à la station de charge.
		La station de charge n'est pas connectée au bloc d'alimentation.	Assurez-vous que la station de charge est connectée au bloc d'alimentation.
		La batterie est entièrement déchargée.	Veillez contacter le service clientèle pour obtenir de l'aide.
2	Le DEEBOT ne peut pas retourner à la station de charge.	La station de charge est placée incorrectement.	Reportez-vous à la section 3.2 pour placer la station de charge correctement.
		La station de charge est incorrectement connectée.	Assurez-vous que la station de charge est correctement connectée.
		La station de charge est déplacée manuellement pendant le nettoyage.	Il est recommandé de ne pas déplacer la station de charge pendant le nettoyage.
		Le DEEBOT est mis en pause pendant plus de 90 minutes.	Il est recommandé de ne pas mettre le DEEBOT en pause pendant plus de 90 minutes.
		Le DEEBOT n'a pas commencé le nettoyage à partir de la station de charge.	Assurez-vous que le DEEBOT commence le nettoyage à partir de la station de charge.
3	DEEBOT reste coincé pendant le travail et s'arrête.	DEEBOT est bloqué par quelque chose sur le plancher plancher (fils électriques, rideaux, franges de tapis, etc.).	DEEBOT tentera par divers moyens de se libérer. S'il n'y arrive pas, retirez manuellement l'obstacle et redémarrez-le.
		DEEBOT peut être coincé sous un meuble avec une entrée de hauteur similaire.	Veillez définir une barrière physique ou encore une délimitation virtuelle dans l'application ECOVACS HOME.

N°	Mauvais fonctionnement	Causes possibles	Solutions
4	DEEBOT retourne à la station de charge avant la fin du nettoyage.	Le temps de travail varie selon la surface du plancher, la complexité de la pièce et le mode de nettoyage sélectionné. Lorsque la batterie s'affaiblit, le DEEBOT se place automatiquement en mode recharge, et retourne lui-même à la station de charge.	Activez la fonction de nettoyage continu dans l'application ECOVACS HOME. Le DEEBOT reprend automatiquement le cycle de nettoyage non terminé lorsque le nettoyage continu est activé.
		Le DEEBOT n'est pas en mesure d'atteindre certaines zones bloquées par des meubles ou des barrières.	Rangez la zone à nettoyer en remplaçant les meubles et les petits objets à leur place.
		La station de charge est trop éloignée du centre de la maison.	Veuillez placer la station de charge contre le mur d'une pièce centrale de la maison.
5	DEEBOT ne procède pas automatiquement au nettoyage au moment programmé.	La fonction de programmation horaire est annulée.	Programmez DEEBOT afin qu'il nettoie à des heures précises à l'aide de l'application ECOVACS HOME.
		DEEBOT est mis HORS TENSION.	Mettez DEEBOT SOUS TENSION.
		La batterie du robot est faible.	Laissez DEEBOT SOUS TENSION et connecté à la station de charge pour vous assurer que la batterie est pleine en tout temps, prête au travail.
6	L'eau ne sort pas du réservoir lorsque DEEBOT nettoie.	Le filtre de l'arrivée d'eau situé au bas du réservoir est bouché.	Dévissez l'arrivée d'eau situé au bas du réservoir et nettoyez le filtre comme il est décrit à la Section 4.1.
		Le réservoir est à court d'eau.	Ajoutez de l'eau dans le réservoir.
		Les prises d'eau au bas de DEEBOT sont bouchées.	Vérifiez les prises d'eau au bas et nettoyez-les.

N°	Mauvais fonctionnement	Causes possibles	Solutions
7	Le DEEBOT rate certains endroits qu'il devrait nettoyer ou nettoie de nouveau des zones déjà nettoyées.	Le cycle de nettoyage est perturbé par de petits objets ou des barrières sur le sol.	Retirer le câble d'alimentation et les petits objets situés sur le plancher pour garantir un nettoyage efficace. Le DEEBOT nettoiera automatiquement la zone manquée. Évitez de déplacer le DEEBOT manuellement ou de bloquer le chemin pendant le cycle de nettoyage.
		Le DEEBOT fonctionne sur des sols polis glissants.	Assurez-vous que la cire pour sols est sèche avant que le DEEBOT ne commence le nettoyage.
		Le DEEBOT n'est pas en mesure d'atteindre certaines zones bloquées par des meubles ou des barrières.	Rangez la zone à nettoyer en remplaçant les meubles et les petits objets à leur place.
		Le capteur de distance TrueMapping est bloqué.	Retirez les objets qui bloquent le capteur de distance TrueMapping.
8	Le DEEBOT fait trop de bruit lors du nettoyage.	Le DEEBOT est emmêlé ou bloqué par des débris.	Nettoyez le DEEBOT comme décrit à la section 4 « Entretien » et redémarrez-le. Si le problème persiste, communiquez avec le service à la clientèle.
9	DEEBOT n'est pas en mesure de se connecter au réseau Wi-Fi à domicile.	Le nom d'utilisateur ou le mot de passe du réseau Wi-Fi est erroné.	Entrez le bon nom d'utilisateur et le bon mot de passe du Wi-Fi.
		Application installée incorrecte.	Veuillez télécharger et installer l'application ECOVACS HOME.
		DEEBOT ne se trouve pas à portée de votre réseau Wi-Fi résidentiel.	Assurez-vous que DEEBOT se trouve à portée de votre réseau Wi-Fi résidentiel.
		La configuration réseau a été lancée avant que DEEBOT soit prêt.	Mettez l'interrupteur d'alimentation SOUS TENSION. Appuyez sur le bouton de RÉINITIALISATION. Le DEEBOT est prêt pour la configuration réseau lorsque le voyant d'état Wi-Fi clignote en continu.
		Le DEEBOT ne prend pas en charge le Wi-Fi de 5 GHz.	Assurez-vous que le robot est connecté à un réseau Wi-Fi de 2,4 GHz.

N°	Mauvais fonctionnement	Causes possibles	Solutions
10	DEEBOT ne nettoie pas toute la zone.	La zone de nettoyage n'est pas rangée.	Retirez les petits objets du plancher et rangez la zone de nettoyage avant que DEEBOT commence à nettoyer.
11	Le réservoir DEEBOT tombe hors de sa place pendant l'utilisation.	Le réservoir n'est pas correctement installé.	Assurez-vous que le réservoir DEEBOT s'enclenche lors de l'installation.
12	Les brosses latérales DEEBOT ne sont plus en place pendant l'utilisation.	Les brosses latérales ne sont pas installées correctement.	Assurez-vous que les brosses latérales s'enclenchent lors de l'installation.

6. Dépannage / 6.2 Connexion Wi-Fi

Avant de configurer le Wi-Fi, assurez-vous que DEEBOT, le téléphone mobile et le réseau Wi-Fi répondent aux exigences suivantes.

Exigences relatives à DEEBOT et au téléphone mobile

- DEEBOT est complètement chargé et l'interrupteur d'alimentation de DEEBOT est sous tension.
- Le voyant d'état Wi-Fi clignote lentement.
- Les données cellulaires du téléphone mobile sont désactivées (vous pouvez les réactiver après la configuration).

Exigences relatives au réseau Wi-Fi

- Vous utilisez un réseau de 2,4 GHz ou mixte de 2,4 / 5 GHz.
- Votre routeur prend en charge les protocoles 802.11b/g/n et IPv4.
- N'utilisez pas de réseau privé virtuel (VPN) ou de serveur proxy.
- N'utilisez pas de réseau caché.
- WPA et WPA2 utilisant le cryptage TKIP, PSK, AES/CCMP.
- Le protocole WEP EAP (Enterprise Authentication Protocol) n'est pas pris en charge.
- Utilisez les canaux Wi-Fi 1-11 en Amérique du Nord et les canaux 1-13 à l'extérieur de l'Amérique du Nord (voir l'organisme de réglementation local).
- Si vous utilisez une extension ou un répéteur de réseau, le nom du réseau (SSID) et le mot de passe sont les mêmes que ceux de votre réseau principal.

7. Spécifications techniques

Modèle	DLN11			
Entrée nominale	20 V === 1 A			
Modèle de la station de charge	CH1822		CH1918*	
	Entrée nominale	100 à 240 V ~ 50 à 60 Hz 0,5 A	Entrée nominale	120 V ~ 50 à 60 Hz 8 A
	Sortie nominale	20 V === 1 A	Sortie nominale (charge)	20 V === 1 A

La puissance de sortie du module Wi-Fi est inférieure à 100 mW.

Remarque : Les spécifications techniques et celles de conception peuvent être modifiées pour l'amélioration continue du produit.

* CH1918 est une station à vidange automatique qui vide automatiquement le bac à poussière de votre DEEBOT. Découvrez d'autres accessoires sur <https://www.ecovacs.com/global>.

Live Smart. Enjoy Life.

En caso de que se encuentre en situaciones que no se especifiquen correctamente en este Manual de instrucciones, contacte a nuestro Centro de atención al cliente para que un técnico pueda resolver sus dudas o problemas específicos.

Para obtener más información, visite el sitio web oficial de ECOVACS ROBOTICS: www.ecovacs.com

La empresa se reserva el derecho de hacer cambios técnicos o de diseño a este producto para su mejora continua.

¡Gracias por elegir DEEBOT!

Índice

1. Instrucciones importantes de seguridad	63
2. Contenidos del paquete.....	69
3. Funcionamiento y programación	72
4. Mantenimiento.....	78
5. Luz indicadora	84
6. Solución de problemas	85
7. Especificaciones técnicas.....	90

1. Instrucciones importantes de seguridad

INSTRUCCIONES IMPORTANTES DE SEGURIDAD

LEA TODAS LAS INSTRUCCIONES ANTES DE USAR ESTE APARATO. GUARDE ESTAS INSTRUCCIONES

Solamente para uso doméstico

Cuando se utiliza un aparato eléctrico, siempre se deben seguir las precauciones básicas, incluidas las que se indican a continuación:

ADVERTENCIA: Lea todas las instrucciones y advertencias de seguridad. En caso de no seguir las advertencias e instrucciones, pueden producirse descargas eléctricas, incendios o lesiones graves.

1. No permita que se utilice como juguete. En caso de que un niño manipule el aparato o de que este funcione cerca de un niño, se debe prestar especial atención.
2. Despeje el área a limpiar. Retire del piso los cables de alimentación y objetos pequeños que puedan enredar el aparato. Meta los flecos de las alfombras debajo de estas y retire del piso objetos como cortinas y manteles.

3. Si hay un desnivel en el área de limpieza debido a un escalón o una escalera, debe utilizar el aparato de manera tal que este pueda detectar el escalón sin caer al vacío. Puede ser necesario colocar una barrera física en el borde para evitar que la unidad se caiga. Asegúrese de que la barrera física no represente un peligro de tropiezo.
4. Utilice el aparato solamente como se describe en este manual. Utilice solamente los accesorios recomendados o vendidos por el fabricante.
5. Asegúrese de que el voltaje de la fuente de alimentación coincide con el voltaje de alimentación marcado en el puerto de carga.
6. No manipule el enchufe de alimentación ni el aparato con las manos mojadas.
7. Está prohibido el uso de baterías desechables.
8. No utilice el aparato sin instalar el depósito de polvo o los filtros.
9. No utilice la aspiradora en un área con velas encendidas u objetos frágiles dispuestos en el piso que va a limpiar.
10. No utilice ni guarde el aparato en ambientes extremadamente calientes o fríos (debajo de

-5 °C/23 °F o por encima de 40 °C/104 °F).

Cargue el robot en un entorno con una temperatura por encima de 0 °C/32 °F y por debajo de 40 °C/104 °F.

11. Mantenga el cabello, la ropa suelta, las manos y todas las partes del cuerpo alejados de las aperturas y partes móviles de la unidad.
12. No utilice el aparato en una habitación donde haya un bebé o un niño dormido.
13. ÚNICAMENTE para uso en INTERIORES. No utilice el aparato en entornos exteriores, comerciales o industriales. No utilice el aparato en superficies húmedas o superficies con agua estancada.
14. No permita que el aparato recoja objetos de gran tamaño como piedras, trozos grandes de papel u otros objetos que puedan obstruirlo.
15. No utilice el aparato para recoger materiales inflamables o combustibles como gasolina, tóner de impresoras o fotocopiadoras ni lo use en áreas donde pudiese haber estos elementos.
16. No utilice el aparato para recoger objetos que se estén quemando o soltando humo, tales como cigarrillos, cerillas, cenizas calientes ni nada que pueda provocar un incendio.
17. No coloque ningún objeto en las aberturas.

No utilice la unidad con aberturas obstruidas; manténgala libre de polvo, pelusas, pelos y cualquier cosa que pueda reducir el flujo de aire.

18. Tenga cuidado de no dañar el cable de alimentación. No utilice el cable de alimentación para tirar del aparato o el puerto de carga o desplazarlos, no utilice el cable como mango, no cierre puertas si el cable está en el umbral ni tire del cable por bordes o esquinas afilados. No pase el aparato en marcha por encima del cable. Mantenga el cable alejado de superficies calientes. No tire el cable para desconectar el aparato. Para desenchufar el aparato, tome el cable de alimentación desde el enchufe.
19. Si el cable de alimentación está dañado, el fabricante o su agente de servicios deberán reemplazarlo para evitar riesgos.
20. No utilice el puerto de carga si está dañado.
21. No lo utilice si el cable de alimentación o el enchufe están dañados. No utilice el aparato o el puerto de carga si no funcionan correctamente, si se cayeron, si se dañaron, si se dejaron al aire libre o si entraron en contacto con agua. Debe repararlo el fabricante o su agente de servicios a fin de evitar riesgos.

22. APAGUE el interruptor de corriente antes de efectuar operaciones de limpieza y mantenimiento del aparato. Desactive todos los controles antes de desenchufar el aparato. Siempre apague el aparato antes de conectar o desconectar la boquilla motorizada.
23. Se debe retirar el enchufe del receptáculo antes de efectuar operaciones de limpieza o mantenimiento del puerto de carga.
24. Retire el aparato del puerto de carga y APAGUE el interruptor de corriente antes de quitar la batería para desechar el aparato.
25. Antes de desechar el aparato, debe quitar y desechar la batería de acuerdo con las leyes y normativas locales.
26. Deseche las baterías usadas de acuerdo con las leyes y normativas locales.
27. No incinere el aparato incluso si presenta un daño grave. Las baterías pueden explotar y provocar un incendio.
28. Cuando no utilice el puerto de carga durante un período prolongado, desenchúfelo.
29. El aparato debe ser utilizado de acuerdo con las instrucciones de este Manual de instrucciones. ECOVACS ROBOTICS no se hace responsable de los daños o lesiones causados por el uso indebido del aparato.
30. Evite un arranque accidental. Asegúrese de que el interruptor está en la posición de apagado antes de conectar a la batería, recoger o transportar el aparato. No desplace el aparato con el dedo en el interruptor ni lo manipule en exceso si tiene el interruptor encendido, así evitará accidentes.
31. Cuando no esté utilizando la batería, manténgala alejada de los objetos metálicos, como sujetapapeles, monedas, llaves, clavos, tornillos u otros objetos pequeños de metal que puedan hacer una conexión entre un terminal y otro. Producir cortocircuitos en los terminales de la batería puede causar quemaduras o incendios.
32. En condiciones indebidas, la batería puede expulsar líquido; evite el contacto con este. En caso de que se produzca contacto accidental, enjuague con agua. Adicionalmente, si el líquido entra en contacto con los ojos, busque atención médica. El líquido expulsado por la batería puede causar irritación en la piel o quemaduras.
33. No utilice baterías ni aparatos que estén dañado o modificados. Las baterías dañadas



o modificadas pueden tener comportamientos impredecibles que pueden causar incendios, explosiones o riesgo de lesiones.

34. No exponga la batería o el aparato al fuego o a temperaturas demasiado elevadas. La exposición al fuego o a temperaturas por encima de 130 °C puede causar una explosión. La temperatura de 130 °C es equivalente a la temperatura de 265 °F.
35. Siga todas las instrucciones de carga y no cargue la batería ni el aparato si la temperatura excede el rango de temperatura especificado en las instrucciones. Cargar el aparato de manera incorrecta o a temperaturas que estén fuera del rango especificado puede dañar la batería y aumentar el riesgo de incendio.
36. El mantenimiento debe hacerlo una persona calificada para realizar reparaciones y que utilice solamente piezas de reemplazo idénticas a las originales. Esto garantizará que se preserve la seguridad del producto.
37. No modifique ni intente reparar el aparato o la batería (según corresponda), excepto según lo indicado en las instrucciones de uso y cuidado.
38. Coloque los cables de otros dispositivos fuera

de la zona que se va a limpiar.

39. No utilice la aspiradora en una habitación donde haya velas encendidas sobre muebles que la aspiradora pueda tropezar o golpear accidentalmente.
40. No permita que los niños se sienten sobre el aparato.
41. Utilice el aparato tal y como se describe en este manual. Utilice solo los accesorios recomendados por el fabricante.
42. Recargue únicamente con el cargador especificado por el fabricante. Un cargador que es apto para un tipo de batería puede implicar un riesgo de incendio si se utiliza con otra batería.
43. Utilice los aparatos solo con baterías específicamente designadas. El uso de cualquier otra batería puede implicar riesgo de lesiones e incendios.
44. El robot contiene baterías que solo pueden ser reemplazadas por personas calificadas. Para sustituir la batería de la unidad, comuníquese con el Servicio al cliente.
45. Si no utilizará el robot por un período prolongado, cargue la batería por completo, APAGUE el robot para almacenarlo y desconecte el puerto de carga.

46. Para reducir el riesgo de descarga eléctrica, asegúrese de no utilizar el aparato en superficies húmedas. No lo exponga a la lluvia. Guárdelo en un lugar cerrado.
47. Desconecte el aparato antes de hacerle mantenimiento a fin de reducir el riesgo de lesiones a causa de las piezas en movimiento.
48. Riesgo de lesiones. El cepillo podría activarse inesperadamente. Desconéctelo antes de utilizarlo o de hacerle mantenimiento.
49. Para reducir el riesgo de lesiones, el usuario debe leer el manual de instrucciones.
50. Para reducir el riesgo de descarga eléctrica, no utilice el aparato en exteriores o superficies húmedas.

	Corriente continua
	Corriente alterna

Este dispositivo cumple con las normas de radiación del DHHS, título 21 del CFR, capítulo 1, subcapítulo J.

Declaración de interferencia de la Comisión Federal de Comunicaciones (FCC)

Se sometió a prueba el equipo y se demostró que cumple con los límites para un dispositivo digital de clase B, conforme a la parte 15 de las normas de la FCC.

Estos límites están diseñados para proporcionar una protección razonable contra interferencias perjudiciales en una instalación residencial. Este equipo genera, utiliza y puede irradiar energía de radiofrecuencia y, si no se instala y utiliza según las instrucciones, puede provocar interferencias perjudiciales en las comunicaciones de radio.

Sin embargo, no hay garantía de que no se producirán interferencias en una instalación en particular. Si este equipo causa interferencias perjudiciales para la recepción de radio o televisión, lo cual puede determinarse apagando y encendiendo el equipo, se recomienda al usuario que intente corregir la interferencia mediante una de las siguientes medidas:

- Vuelva a orientar o ubicar la antena receptora.
- Aumente la separación entre el equipo y el receptor.
- Conecte el equipo a una toma de corriente en un circuito distinto al que está conectado el receptor.
- Consulte al distribuidor o a un técnico experto en aparatos de radio y televisión para obtener ayuda.

Este dispositivo cumple con la parte 15 de las normas de la FCC. El funcionamiento está sujeto a las siguientes dos condiciones:

(1) este dispositivo no debe causar interferencias perjudiciales, y (2) este dispositivo debe aceptar cualquier interferencia recibida, incluidas las interferencias que puedan causar un funcionamiento inadecuado.

Precaución de la FCC: Los cambios o modificaciones que no hayan sido expresamente aprobados por la parte responsable del cumplimiento podrían anular la autoridad del usuario para operar este equipo.

Advertencia de exposición a RF

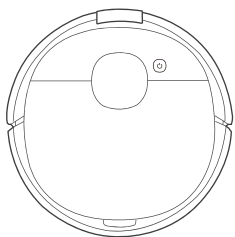
Este equipo cumple con los límites de exposición a la radiación establecidos por la FCC para un entorno no controlado.

Este equipo se debe instalar y utilizar de acuerdo con las instrucciones proporcionadas, y las antenas utilizadas para este transmisor deben instalarse de modo de proporcionar una distancia de separación de al menos 20 cm de todas las personas y no debe colocarse ni utilizarse conjuntamente con ninguna otra antena o transmisor.

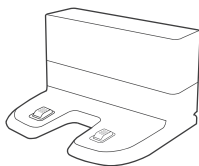
Para desactivar el módulo Wi-Fi del DEEBOT, ENCIENDA el robot. Ponga el robot en el puerto de carga y asegúrese de que los contactos de carga del DEEBOT y los electrodos del puerto de carga se conecten.

Mantenga presionado el botón de modo Automático del robot durante 20 segundos hasta que el DEEBOT emita tres pitidos. Para activar el módulo Wi-Fi del DEEBOT, APAGUE el robot y ENCIÉNDALO nuevamente. El módulo Wi-Fi se activa cuando el DEEBOT se reinicia.

2. Contenidos del paquete/2.1 Contenidos del paquete



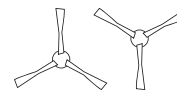
Robot



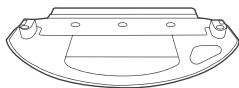
Puerto de carga



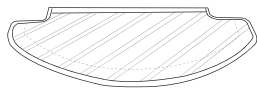
Manual de instrucciones



Cepillos laterales



Placa de almohadilla para
trapeado



Almohadilla para trapeado
lavable

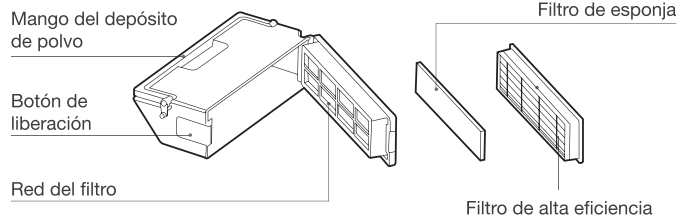
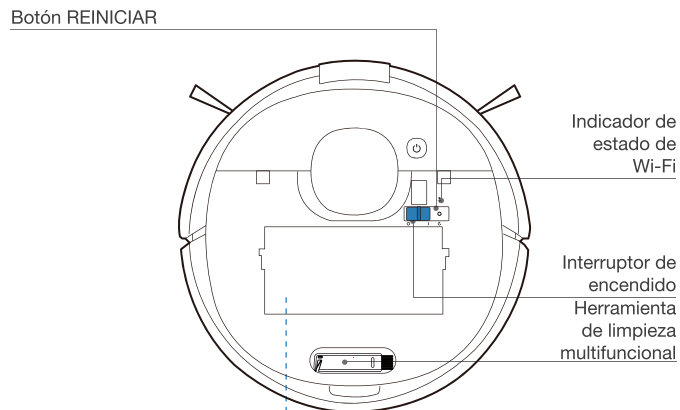
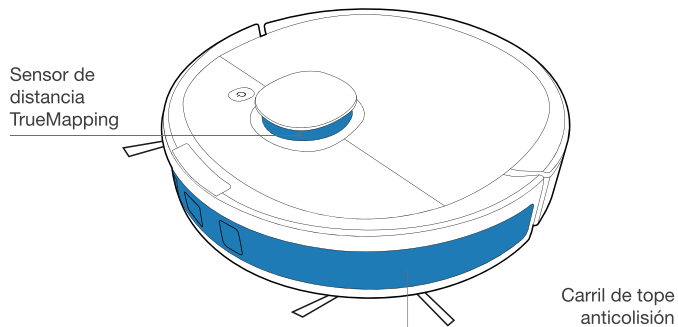
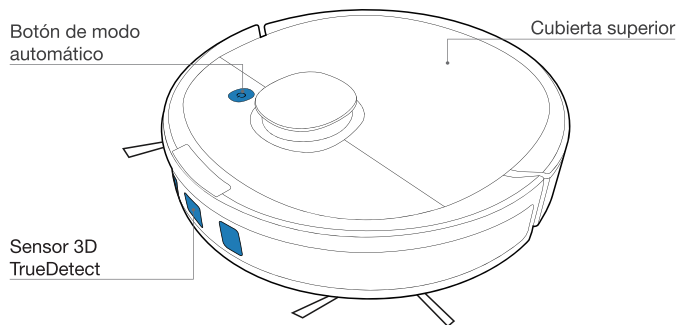


Almohadillas para
trapeado desechables

Nota: Las cifras e ilustraciones son solo de referencia y pueden diferir de la apariencia real del producto. El diseño y las especificaciones del producto están sujetas a cambios sin previo aviso.

2. Contenidos del paquete/2.2 Diagrama del producto

Robot

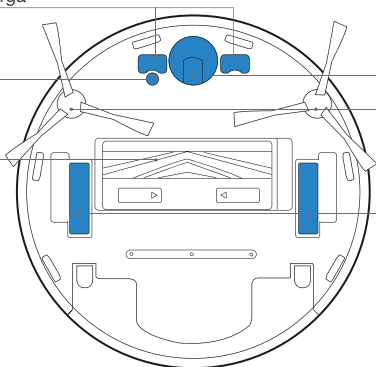


Vista inferior

Contactos de carga

Sensor detector de alfombras

Cepillo principal



Rueda universal

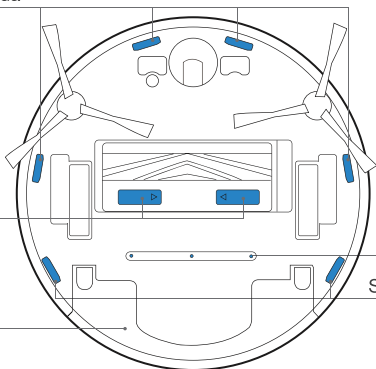
Cepillos laterales

Ruedas motrices

Sensores anticaída

Botón de liberación del cepillo principal

Depósito

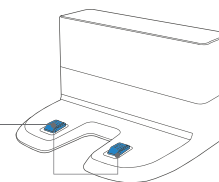


Toma de agua

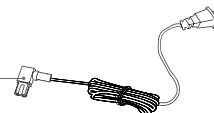
Sensores anticaída

Puerto de carga

Clavijas del puerto de carga



Cable de alimentación



Depósito

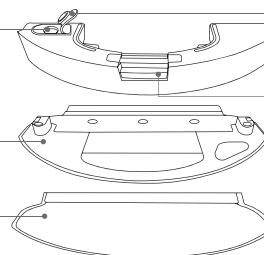
Entrada de agua

Placa de almohadilla para trapeado

Paño de limpieza

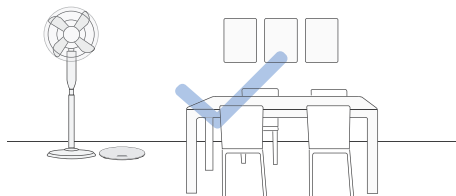
Cubierta de entrada de agua

Botón de liberación del depósito

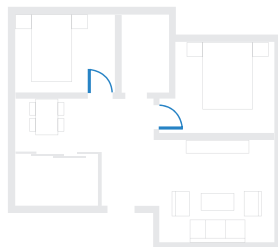


3. Funcionamiento y programación/3.1 Notas antes de la limpieza

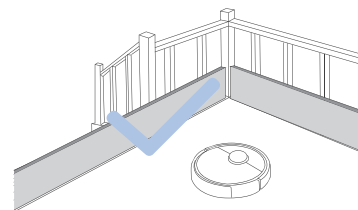
Despeje el área a limpiar y ubique muebles, tales como sillas, en un lugar apropiado.



Durante el primer uso, asegúrese de que cada puerta de la habitación esté abierta para ayudar a DEEBOT a explorar completamente su casa.



Puede ser necesario poner una barrera física en la orilla de algún desnivel para impedir que la unidad caiga.



Quite los objetos que estén en el piso, incluidos cables, toallas y pantuflas, etc., para mejorar la eficiencia de la limpieza.



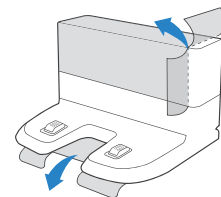
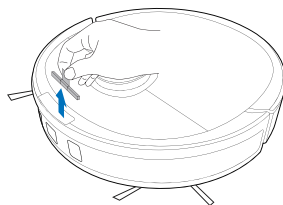
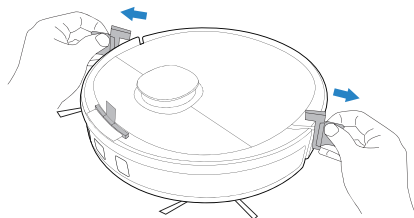
Antes de utilizar el producto sobre una alfombra con bordes de flecos, doble los bordes de la alfombra bajo sí misma.



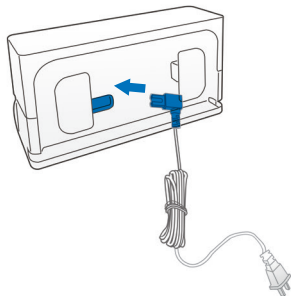
No se pare en espacios estrechos, como pasillos, y asegúrese de no bloquear el sensor de detección.

3. Funcionamiento y programación/3.2 Inicio rápido

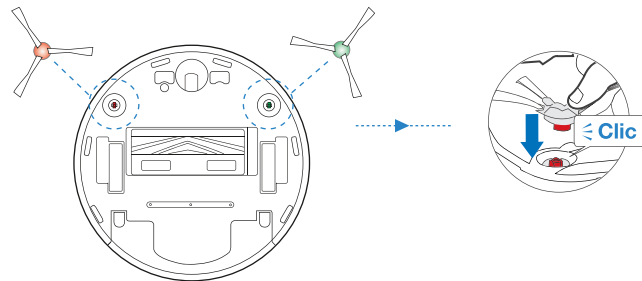
1 Retire las cintas y las películas de protección



2 Monte el puerto de carga

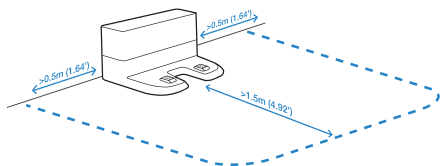


3 Instale los cepillos laterales

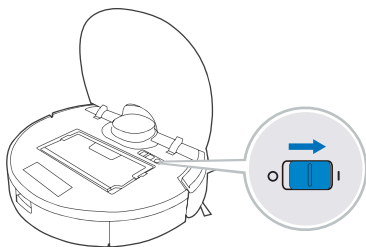


3. Funcionamiento y programación/3.3 Cargar el DEEBOT

1 Coloque el puerto de carga correctamente



2 Enciéndalo



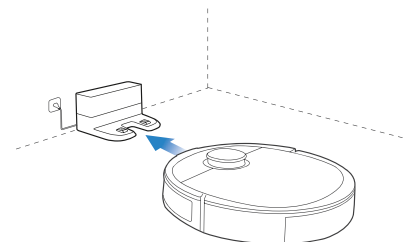
Nota: I = ENCENDIDO, O = APAGADO.

! El DEEBOT no se puede cargar cuando está APAGADO.

3 Cargue el DEEBOT

Vacíe el agua restante del depósito y retire el depósito y la placa de almohadilla para trapeado antes de cargar el DEEBOT.

⏻ parpadea cuando el DEEBOT se está cargando. ⏻ se apaga cuando el DEEBOT está completamente cargado.



* También puede comprar una estación de vaciado automático para el depósito de polvo de su DEEBOT. Explore más accesorios en <https://www.ecovacs.com/global>.

3. Funcionamiento y programación/3.4 Aplicación ECOVACS HOME

Para disfrutar de todas las funciones disponibles, se recomienda controlar su DEEBOT a través de la aplicación ECOVACS HOME.

Antes de comenzar, asegúrese de lo siguiente:

- Su teléfono celular está conectado a una red Wi-Fi.
- La señal inalámbrica de banda de 2.4 GHz está activada en su router.
- La luz indicadora de Wi-Fi de DEEBOT parpadea lentamente.



Luz indicadora de Wi-Fi

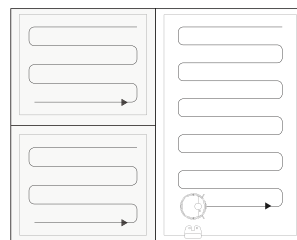
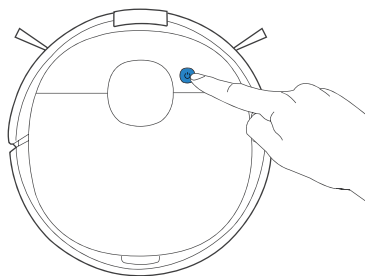
	Parpadea lentamente	Desconectado del Wi-Fi o esperando una conexión Wi-Fi
	Parpadea rápidamente	Conectando al Wi-Fi
	Fija	Conectado al Wi-Fi

Consejos: Si tiene algún problema durante el proceso de configuración del Wi-Fi, consulte la sección Solución de problemas > Conexión Wi-Fi de este manual.

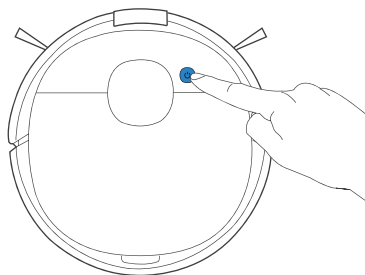
3. Funcionamiento y programación/3.5 Operar a DEEBOT

Durante la primera limpieza, supervise el DEEBOT y ayude si hay algún problema.


1 Inicio

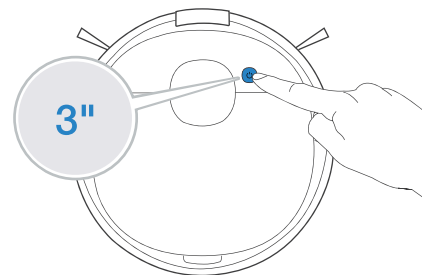


2 Pausa



3 Vuelva al modo de carga

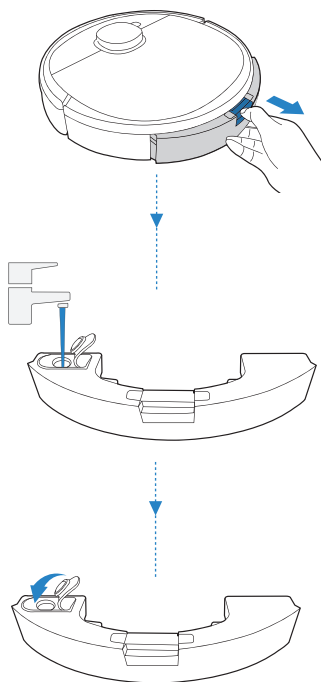
Presione  durante tres segundos para enviar el DEEBOT nuevamente al puerto de carga.



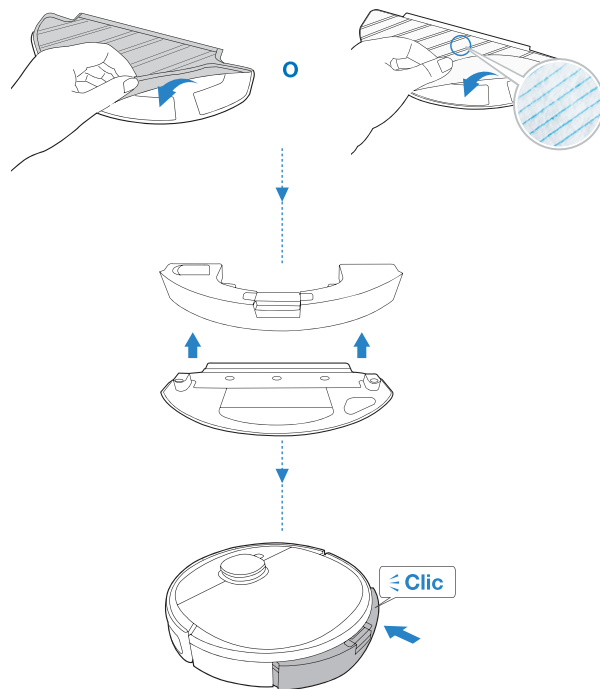
Nota: El panel de control del robot se apaga si el robot está en pausa durante algunos minutos. Presione el botón de modo automático en el DEEBOT para volver encender el robot.

3. Funcionamiento y programación/3.6 Sistema de trapeado OZMO

- 1 **Nota:** Para prolongar la vida útil del depósito, se recomienda utilizar agua purificada o descalcificada en el sistema de trapeado OZMO.



- 2 **Nota:** Cuando el DEEBOT trapea, detecta automáticamente la alfombra y la mantiene alejada. Si necesita limpiar la alfombra, desinstale primero la placa de almohadilla para trapeado.



4. Mantenimiento/4.1 Mantenimiento regular

Para mantener el rendimiento del DEEBOT al máximo, realice las tareas de mantenimiento y reemplace las piezas que correspondan según la frecuencia que se indica a continuación:

Pieza del robot	Frecuencia de mantenimiento	Frecuencia de reemplazo
Almohadilla para trapeado desechable	Después de cada uso	Reemplácelo después de cada uso
Almohadilla para trapeado lavable	Después de cada uso	Cada 50 lavados
Depósito/Placa de almohadilla para trapeado	Después de cada uso	/
Cepillo lateral	Una vez cada 2 semanas	Cada 3 a 6 meses
Cepillo principal	Una vez por semana	Cada 6 a 12 meses
Filtro de esponja/Filtro de alta eficiencia	Una vez por semana	Cada 3 a 6 meses
Sensor 3D TrueDetect Rueda universal Sensores anticaída Carril de tope Contactos de carga Clavijas del puerto de carga	Una vez por semana	/

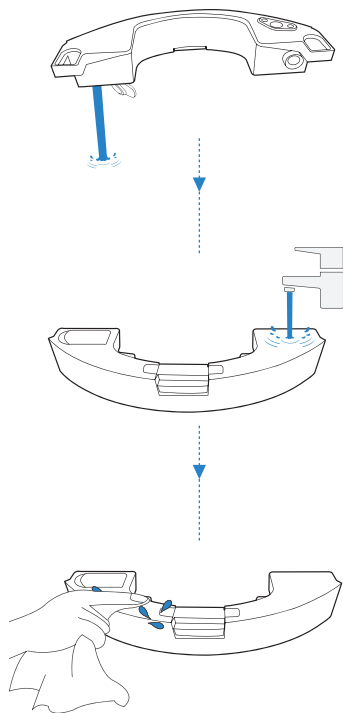
Para facilitar el mantenimiento se proporciona una herramienta de limpieza multifuncional. Manéjela con cuidado; esta herramienta de limpieza tiene bordes afilados.

Nota: ECOVACS fabrica diversos accesorios y piezas de reemplazo. Comuníquese con Servicio al cliente para obtener más información sobre las piezas de reemplazo.

4. Mantenimiento/4.2 Sistema de trapeado OZMO

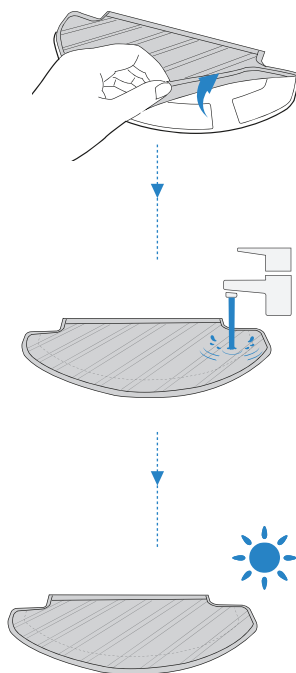
Antes de realizar las tareas de limpieza y mantenimiento del DEEBOT, APAGUE el robot y desconecte el puerto de carga.

1

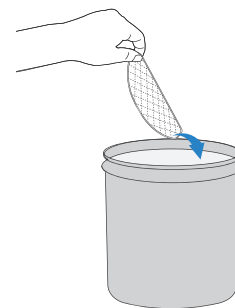


2

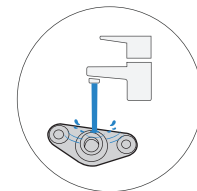
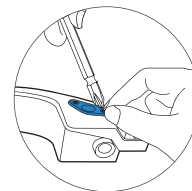
Almohadilla para trapeado lavable



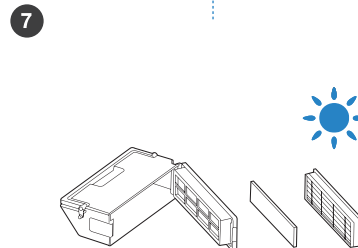
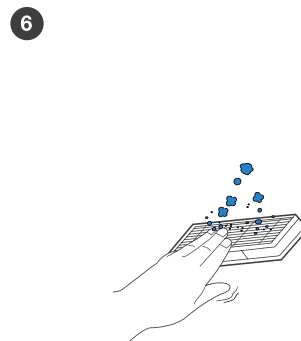
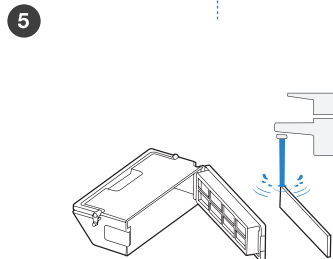
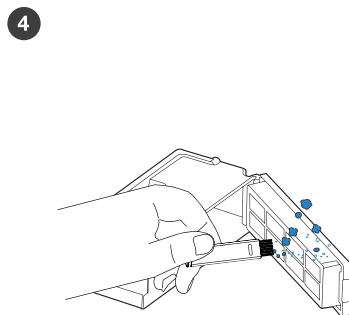
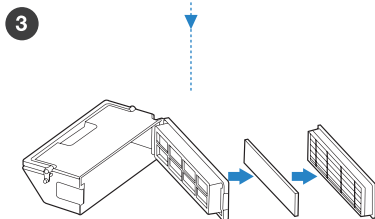
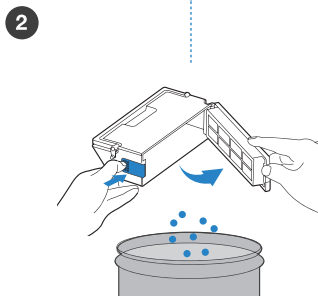
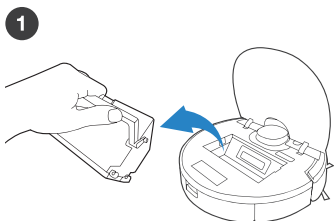
Almohadilla para trapeado desechable



! Limpie el filtro de entrada de agua en la parte inferior del depósito si está obstruido.

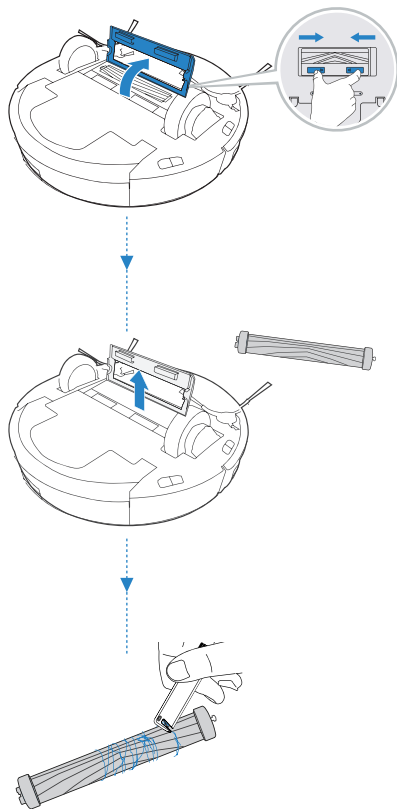


4. Mantenimiento/4.3 Depósito de polvo y filtros

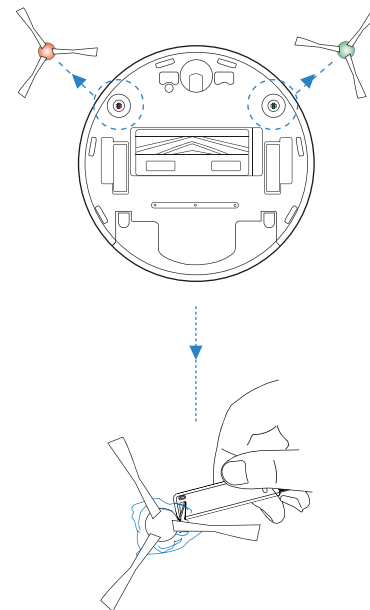


4. Mantenimiento/4.4 Cepillo principal y cepillos laterales

Cepillo principal



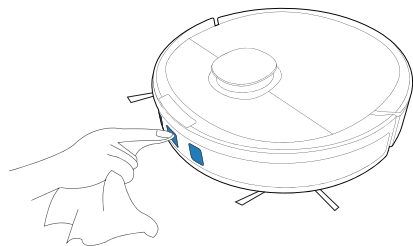
Cepillos laterales



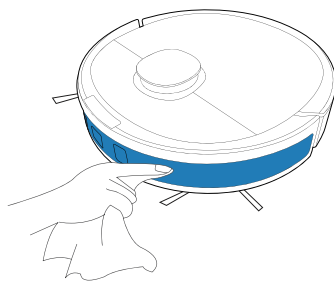
4. Mantenimiento/4.5 Otros componentes

Nota: Antes de limpiar los contactos de carga y las clavijas del puerto de carga del robot, apague el robot y desconecte el puerto de carga.

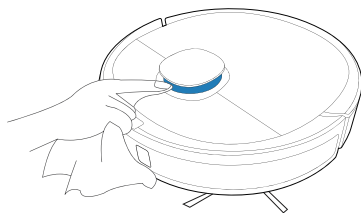
1



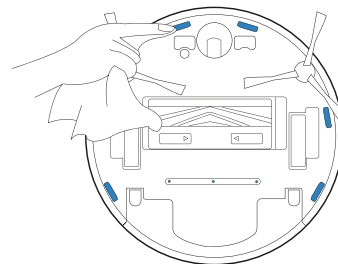
2



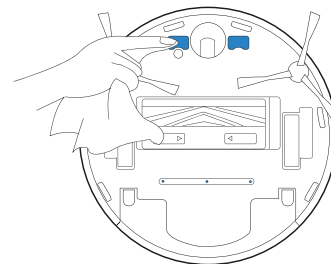
3



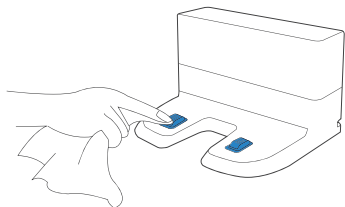
4



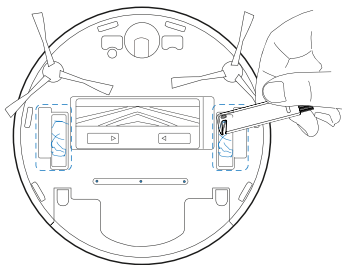
5



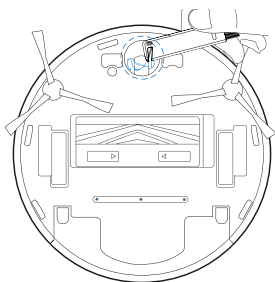
6



7

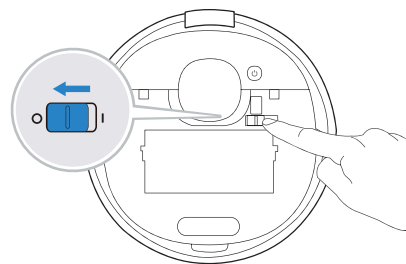


8



4. Mantenimiento/4.6 Almacenamiento

Si no utilizará el DEEBOT durante un tiempo, cárguelo completamente y APÁGUELO antes de guardarlo. Cargue el DEEBOT cada 1.5 meses para evitar posibles daños en la batería.



Nota: Cuando el DEEBOT no se encuentre limpiando, se sugiere mantenerlo ENCENDIDO y cargando.

5. Luz indicadora

El DEEBOT le dará a conocer que algo anda mal con una luz indicadora y un informe de voz. Acceda a la información de soporte técnico adicional disponible a través de la aplicación ECOVACS HOME y el sitio web.

Luz indicadora	Situación hipotética
El botón Modo AUTO se ilumina de un color BLANCO continuo	El robot está limpiando.
	El robot se pausa durante la limpieza.
El botón Modo AUTO parpadea de color BLANCO	El robot se está cargando.
	El robot se está iniciando.
	El robot se está reubicando.
El botón Modo AUTO se ilumina de un color ROJO continuo	El robot tiene la batería baja.
El botón Modo AUTO parpadea de color ROJO	El robot tiene un problema.

6. Solución de problemas/6.1 Solución de problemas

N.º	Falla	Posibles causas	Soluciones
1	El DEEBOT no se está cargando.	El DEEBOT no enciende.	Encienda el DEEBOT.
		El DEEBOT no está conectado al puerto de carga.	Asegúrese de que los contactos de carga del robot estén conectados con las clavijas del puerto de carga.
		El cable de alimentación no está conectado al puerto de carga.	Asegúrese de que el cable de alimentación esté firmemente conectado al puerto de carga.
		El puerto de carga no está conectado a la fuente de alimentación.	Asegúrese de que el puerto de carga esté conectado a la fuente de alimentación.
		La batería está completamente descargada.	Comuníquese con el servicio de atención al cliente para obtener ayuda.
2	El DEEBOT no puede volver a la puerto de carga.	El puerto de carga se colocó de manera incorrecta.	Consulte la sección 3.2 para colocar el puerto de carga de manera correcta.
		El puerto de carga no está conectado de manera correcta.	Asegúrese de que el puerto de carga esté conectado correctamente.
		El puerto de carga se mueve manualmente durante la limpieza.	Se recomienda no mover el puerto de carga durante la limpieza.
		El DEEBOT se pausa durante más de 90 minutos.	Se recomienda no pausar el DEEBOT por más de 90 minutos.
		El DEEBOT no empezó a limpiar desde el puerto de carga.	Asegúrese de que el DEEBOT comience a limpiar desde el puerto de carga.
3	El DEEBOT se traba mientras limpia y, luego, se detiene.	El DEEBOT se enredó con algo en el piso (cables eléctricos, cortinas, flequillo de alfombras, etc.).	El DEEBOT intentará diversas maneras para liberarse. Si no tiene éxito, retire manualmente los obstáculos y reinicie.
		El DEEBOT puede estar atascado debajo de un mueble con una entrada de altura similar.	Ponga una barrera física o establezca una barrera virtual en la aplicación ECOVACS HOME.

N.º	Falla	Posibles causas	Soluciones
4	El DEEBOT regresa al puerto de carga antes de terminar la limpieza.	El tiempo de funcionamiento varía según la superficie del suelo, la complejidad de la habitación y el modo de limpieza seleccionado. Cuando baja la carga de la batería, el DEEBOT cambia automáticamente al Modo de Recarga y vuelve al puerto de carga para cargarse.	Active la función de limpieza continua en la aplicación ECOVACS HOME. El DEEBOT reanudará automáticamente el ciclo de limpieza incompleto cuando la función de limpieza continua esté activada.
		El DEEBOT no puede llegar a ciertas áreas bloqueadas por muebles o barreras.	Despeje el área que se limpiará y ponga muebles y objetos pequeños en un lugar apropiado.
		El puerto de carga está demasiado lejos del centro de la casa.	Coloque el puerto de carga contra la pared de una habitación central de la casa.
5	El DEEBOT no limpia automáticamente a la hora programada.	Se canceló la función de programación de horarios.	programe el DEEBOT para limpiar en momentos específicos mediante la aplicación ECOVACS HOME.
		El DEEBOT está apagado.	Encienda el DEEBOT.
		El robot tiene la batería baja.	Mantenga el DEEBOT encendido y conectado al puerto de carga para asegurarse de que la carga de la batería esté completa para limpiar en cualquier momento.
6	No sale agua del depósito cuando el DEEBOT está trapeando.	El filtro de entrada de agua en la parte inferior del depósito está obstruido.	Desenrosque la entrada de agua en la parte inferior del depósito y limpie el filtro como se indica en la sección 4.1.
		El depósito no tiene agua.	Agregue agua al depósito.
		Las tomas de agua en la parte inferior del DEEBOT están obstruidas.	Revise las tomas de agua en la parte inferior y límpielas.

N.º	Falla	Posibles causas	Soluciones
7	El DEEBOT olvida limpiar algunos lugares o limpia un mismo lugar más de una vez.	El ciclo de limpieza se ve interferido por pequeños objetos o barreras en el piso.	Quite del piso los cables de alimentación y los objetos pequeños para garantizar la eficacia de la limpieza. El DEEBOT limpiará automáticamente el área faltante. Evite mover el DEEBOT manualmente o bloquear la ruta durante el ciclo de limpieza.
		El DEEBOT está trabajando en pisos pulidos resbaladizos.	Asegúrese de que la cera del piso esté seca antes de que el DEEBOT comience a limpiar.
		El DEEBOT no puede llegar a ciertas áreas bloqueadas por muebles o barreras.	Despeje el área que se limpiará y ponga muebles y objetos pequeños en un lugar apropiado.
		El sensor de distancia TrueMapping está bloqueado.	Quite los objetos que bloqueen el sensor de distancia TrueMapping.
8	El DEEBOT hace demasiado ruido al limpiar.	El DEEBOT está enredado u obstruido con residuos.	Limpie el DEEBOT como se describe en la sección 4 "Mantenimiento" y reinicielo. Si el problema persiste, comuníquese con el servicio de atención al cliente.
9	El DEEBOT no puede conectarse a la red Wi-Fi doméstica.	El nombre de usuario o la contraseña de la red Wi-Fi doméstica ingresada es incorrecta.	Ingrese el nombre de usuario y la contraseña de la red Wi-Fi doméstica correctamente.
		Aplicación incorrecta instalada.	Descargue e instale la aplicación ECOVACS HOME.
		El DEEBOT no se encuentra dentro del rango de la señal de Wi-Fi doméstica.	Asegúrese de que el DEEBOT se encuentra dentro del rango de la señal de Wi-Fi doméstica.
		Se inició la configuración de red antes de que el DEEBOT estuviera listo.	Encienda el interruptor de encendido. Pulse el botón REINICIAR. El DEEBOT está listo para la configuración de red cuando la luz indicadora de Wi-Fi parpadea lentamente.
		El DEEBOT no admite Wi-Fi de 5 GHz.	Asegúrese de que el robot se haya conectado a una red Wi-Fi de 2,4 GHz.

N.º	Falla	Posibles causas	Soluciones
10	El DEEBOT no limpia el área completa.	La zona de limpieza no está ordenada.	Quite todos los objetos pequeños del piso y despeje el área de limpieza antes de que el DEEBOT comience a limpiar.
11	El depósito del DEEBOT se sale de su lugar durante su uso.	El depósito no está instalado correctamente.	Asegúrese de que el depósito del DEEBOT se encaje en su lugar al instalarlo.
12	Los cepillos laterales del DEEBOT se salen de su lugar durante su uso.	Los cepillos laterales no están instalados correctamente.	Asegúrese de que los cepillos laterales se encajen en su lugar al instalarlos.

6. Solución de problemas/6.2 Conexión Wi-Fi

Antes de configurar el Wi-Fi, asegúrese de que su DEEBOT, teléfono celular y la red Wi-Fi cumplan con los siguientes requisitos.

Requisitos de DEEBOT y del teléfono celular

- DEEBOT está completamente cargado y el interruptor de corriente de DEEBOT está encendido.
- La luz de estado del Wi-Fi parpadea lentamente.
- Los datos móviles del teléfono celular están desactivados (puede volver a activarlos después de la configuración).

Requisitos de la red Wi-Fi

- Usar una red mixta de 2.4 GHz o 2.4/5 GHz.
- El router debe ser compatible con el protocolo 802.11b/g/n e IPv4.
- No utilizar una red privada virtual (VPN) ni un servidor proxy.
- No utilizar una red oculta.
- WPA y WPA2 con cifrado TKIP, PSK o AES/CCMP.
- WEP y EAP (protocolo de autenticación empresarial) no son compatibles.
- Usar canales Wi-Fi 1-11 en Norteamérica y canales 1-13 fuera de Norteamérica (consulte a la agencia normativa local).
- Si utiliza un repetidor o extensor de red, el nombre de red (SSID) y la contraseña deben ser los mismos que su red principal.

7. Especificaciones técnicas

Modelo	DLN11			
Entrada nominal	20 V === 1 A			
Modelo del puerto de carga	CH1822		CH1918*	
	Entrada nominal	De 100 a 240 V~ De 50 a 60 Hz 0.5 A	Entrada nominal	120 V~ De 50 a 60Hz 8 A
	Salida nominal	20 V === 1 A	Salida nominal (Cargando)	20 V === 1 A

La potencia de salida del módulo Wi-Fi es inferior a 100 mW.

Nota: Las especificaciones técnicas y de diseño pueden cambiar para permitir la mejora constante del producto.

* CH1918 es una estación de vaciado automático para el depósito de polvo de su DEEBOT. Explore more accessories at <https://www.ecovacs.com/global>.



Ecovacs Robotics Co., Ltd.

No. 18 You Xiang Road, Wuzhong District, Suzhou City,
Jiangsu Province, P.R.China